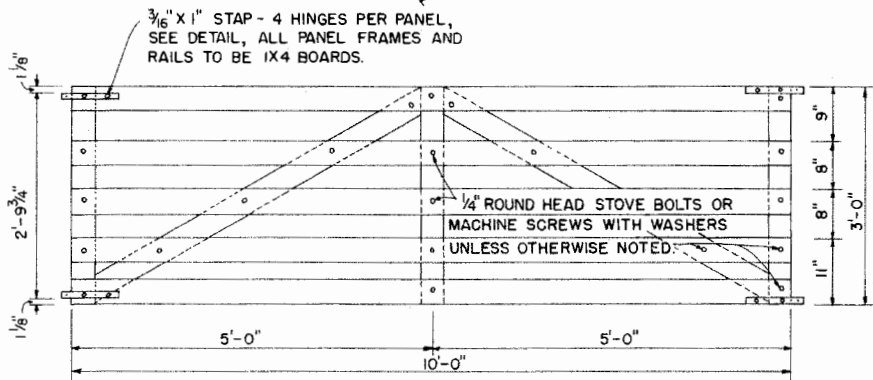
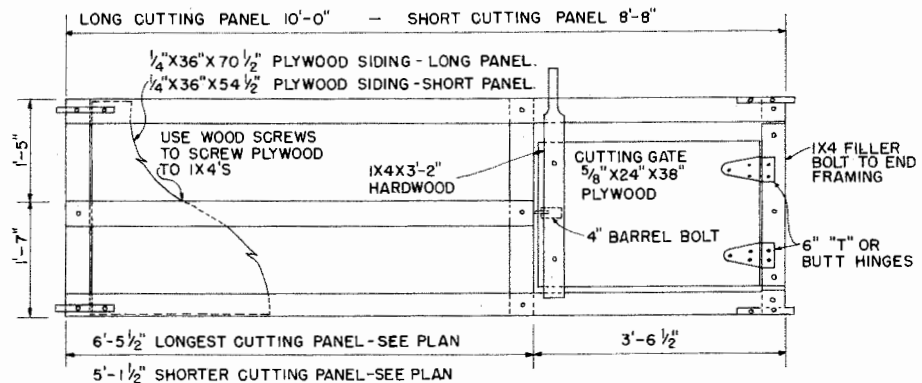


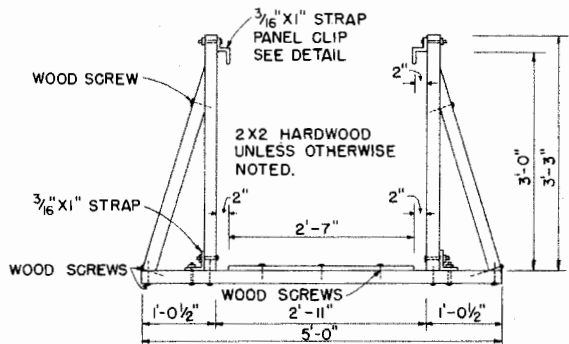
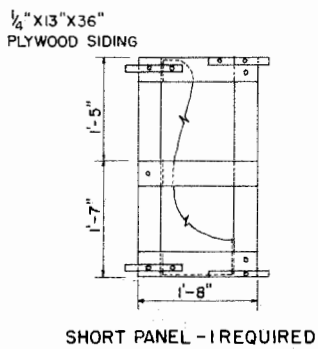
PLAN
SCALE: 1/4" = 1'-0"
12" 0' 1' 2' 3' 4'



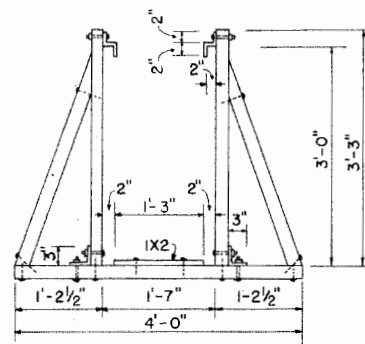
STANDARD PANEL - 12 REQUIRED



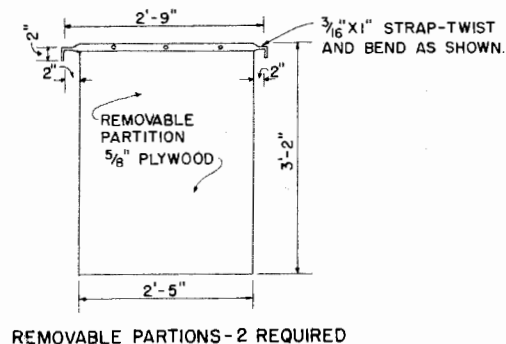
CUTTING PANELS - 1 EACH SIZE REQUIRED



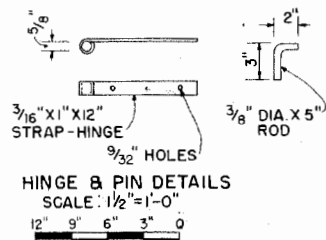
CROWDING CHUTE BRACE - 3 REQUIRED



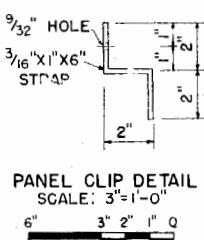
CUTTING CHUTE BRACE - 2 REQUIRED



REMOVABLE PARTITIONS - 2 REQUIRED



HINGE & PIN DETAILS
SCALE: 1/2" = 1'-0"
12" 9" 6" 3" 0"



PANEL CLIP DETAIL
SCALE: 3" = 1'-0"
6" 3" 2" 1" 0"

- MATERIALS:**
- 78 PCS. 1X4 X 10'-0"
 - 15 PCS. 1X4 X 12'-0"
 - 5 PCS. 2X2 X 10'-0" HARDWOOD.
 - 4 PCS. 2X2 X 12'-0" HARDWOOD.
 - 1 SHEET 5/8" EXT. PLYWOOD.
 - 2 SHEET 1/4" EXT. PLYWOOD.
 - 1 PIECE 1X2 X 12'-0" HARDWOOD
 - 3/16" x 1" x 76'-0" STRAP IRON
 - 2 PR. 6" "T" OR BUTT HINGES
 - 3/8" DIA. X 12'-6" STEEL ROD
 - TWO 4" BARREL BOLTS
 - VARIOUS FASTENERS - WOOD SCREWS - BOLTS & WASHERS

BASED ON: W.VA. UNIV.
PLAN NO. SH-152

SCALE: 3/4" = 1'-0" UNLESS OTHERWISE NOTED.



PORTABLE HANDLING FACILITY
FOR SHEEP

W.VA. '75 6236 SHEET 1 OF 1

Disclaimer

This site makes available conceptual plans that can be helpful in developing building layouts and selecting equipment for various agricultural applications. These plans do not necessarily represent the most current technology or construction codes. They are not construction plans and do not replace the need for competent design assistance in developing safe, legal and well-functioning agricultural building system. The LSU Agriculture Center, the Mid-West Plan Service, the United States Department of Agriculture and none of the cooperating land-grant universities warranty these plans.