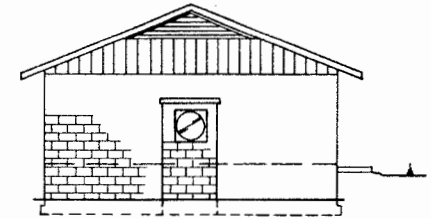


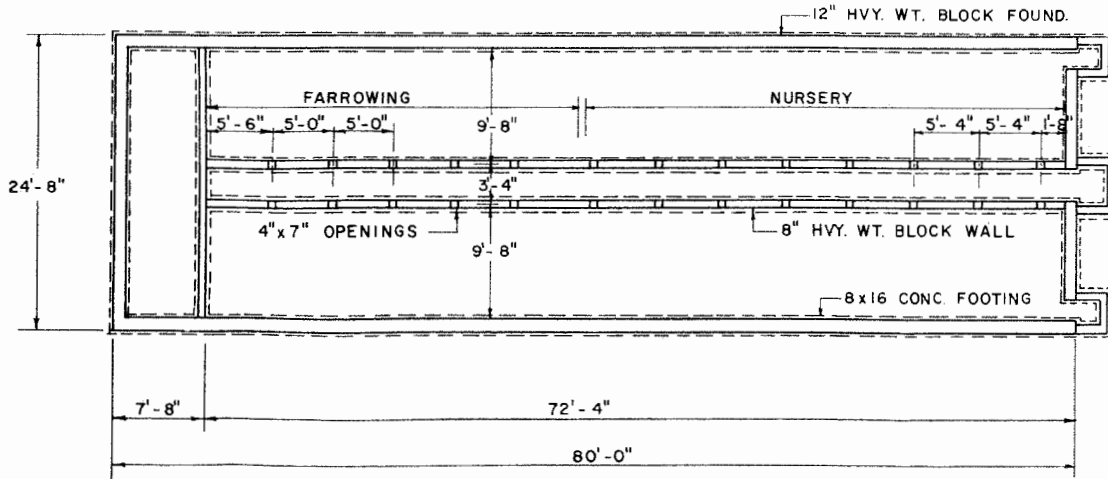
**RIGHT SIDE ELEVATION**

SCALE = 1/8" = 1'-0"



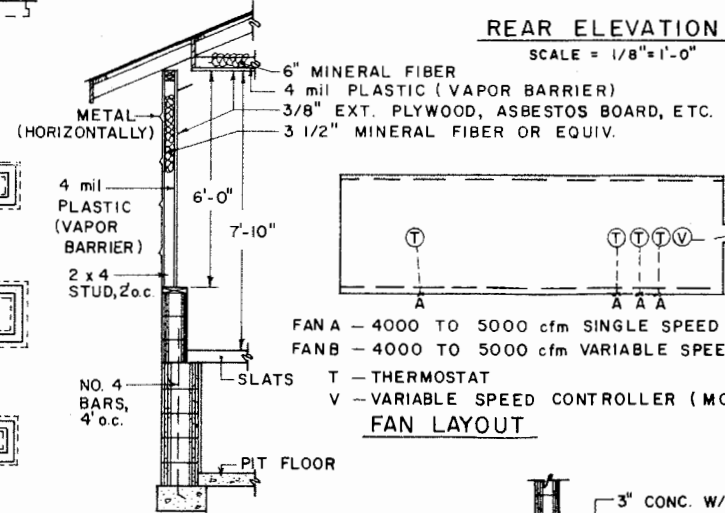
**REAR ELEVATION**

SCALE = 1/8" = 1'-0"



**FOUNDATION PLAN**

SCALE = 1/8" = 1'-0"

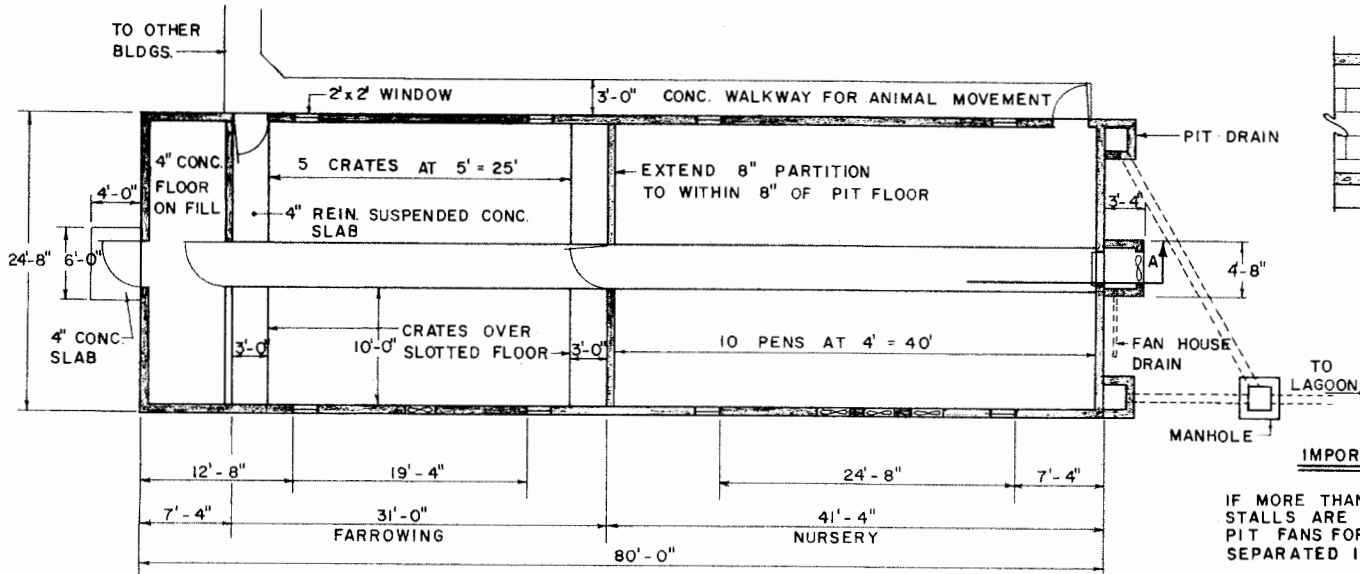


**ALTERNATIVE WALL SECTION**

SCALE = 3/8" = 1'-0"

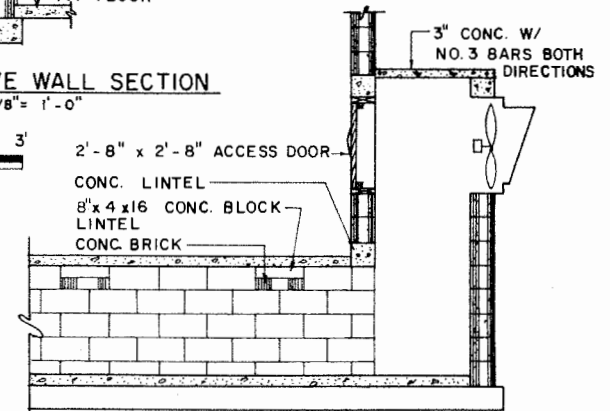


FAN A - 4000 TO 5000 cfm SINGLE SPEED AT 1/8" S.P.  
 FAN B - 4000 TO 5000 cfm VARIABLE SPEED AT 1/8" S.P.  
 T - THERMOSTAT  
 V - VARIABLE SPEED CONTROLLER (MODULATOR)  
**FAN LAYOUT**



**FLOOR PLAN**

SCALE = 1/8" = 1'-0"



**SECTION A - FAN HOUSE & PLENUM**

SCALE = 3/8" = 1'-0"

**IMPORTANT NOTE:**

IF MORE THAN 10 FARROWING STALLS ARE NEEDED, PROVIDE PIT FANS FOR EACH SEPARATED INDEPENDENT ROOM

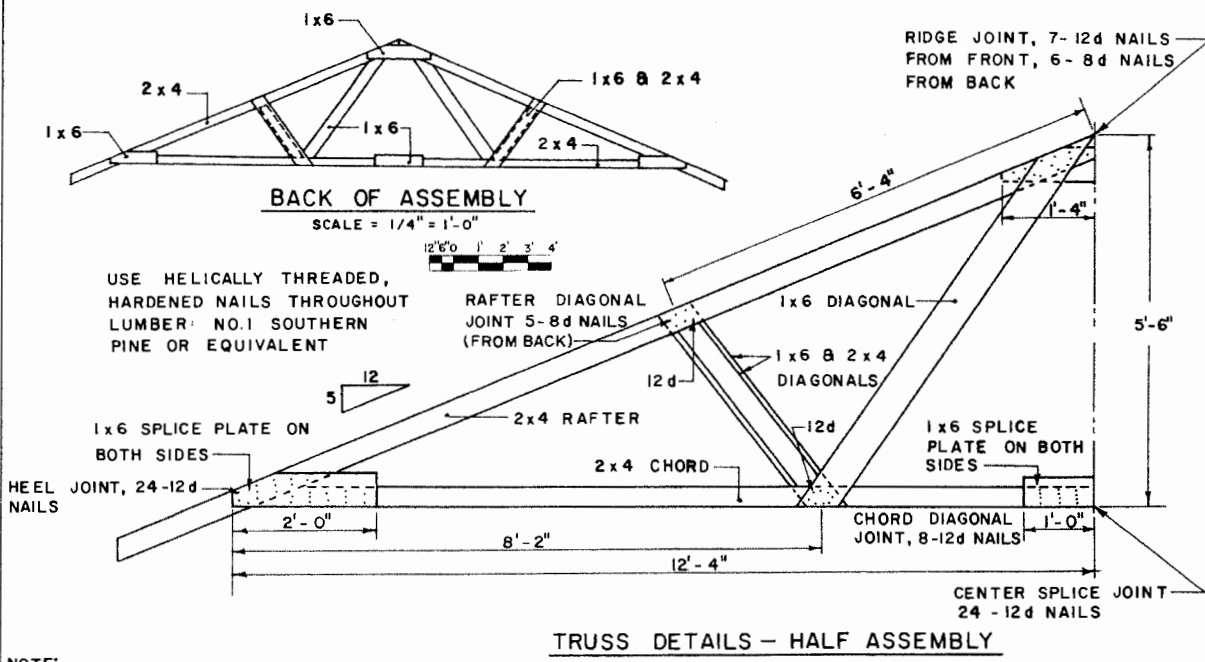
SCALE: 1/8" = 1'-0" UNLESS OTHERWISE NOTED



FARROWING - NURSERY COMBINATION

N.C. ST. '80 EX. 6334 SHEET 1 OF 2

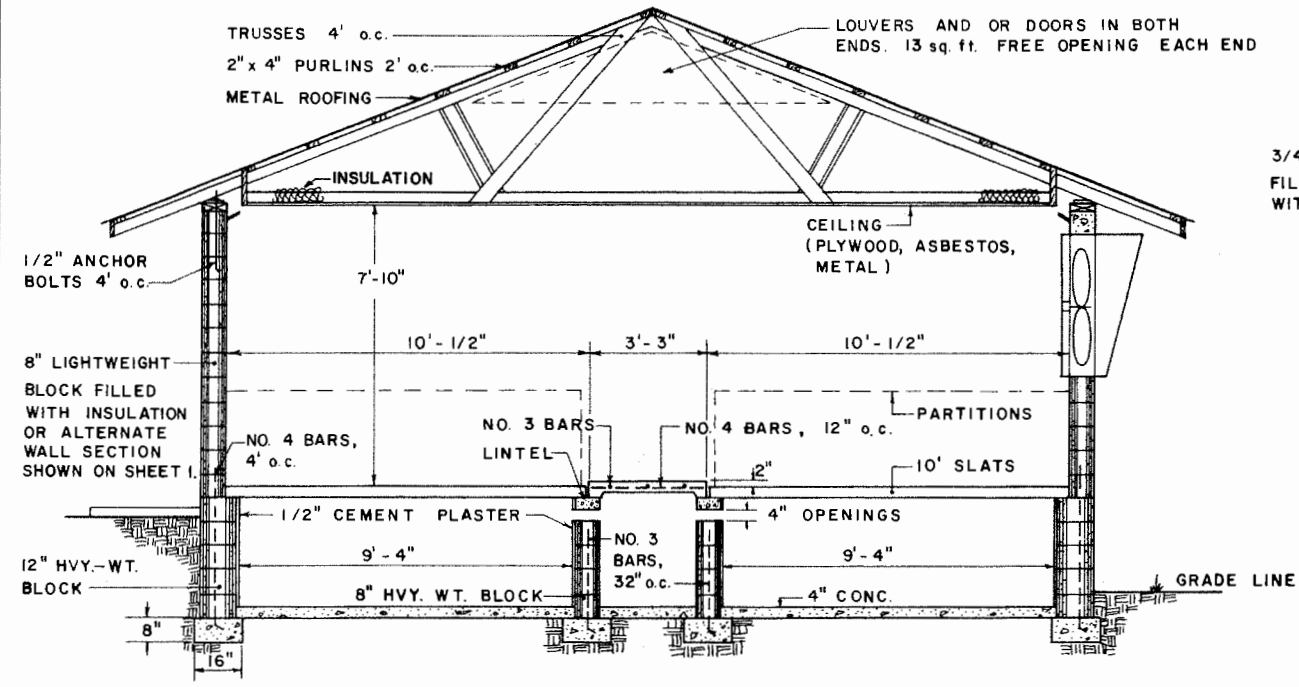
NOTE: BASED ON N.C. ST. UNIV. PLAN NO.532



**TRUSS DETAILS - HALF ASSEMBLY**

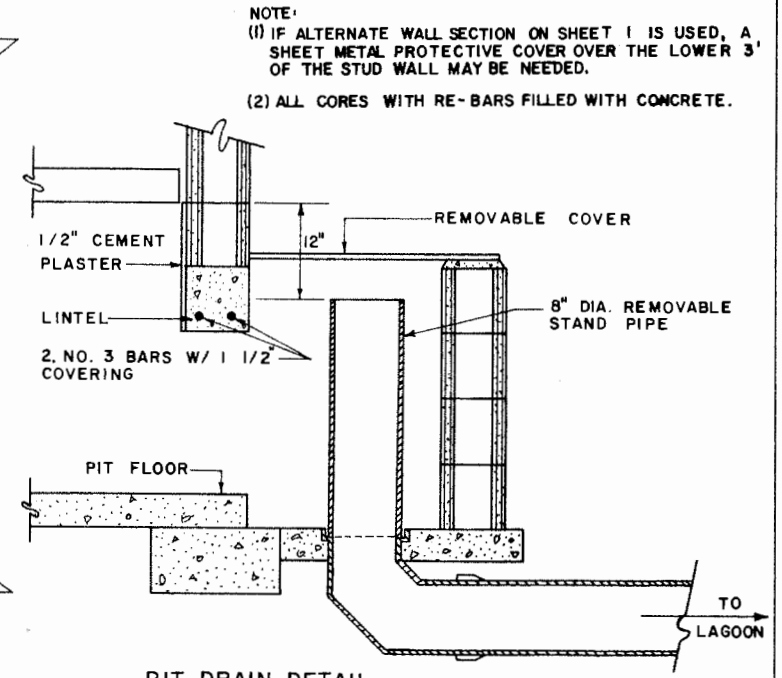
SCALE = 3/4" = 1'-0"

**NOTE:**  
A WINTER AIR INLET WHEREBY VENTILATION AIR ENTERS THROUGH THE ATTIC IS DESIRABLE. VENTILATION AIR IS PREHEATED AND WIND VELOCITY DOES NOT AFFECT AIR MOVEMENT THROUGH THE INLET.



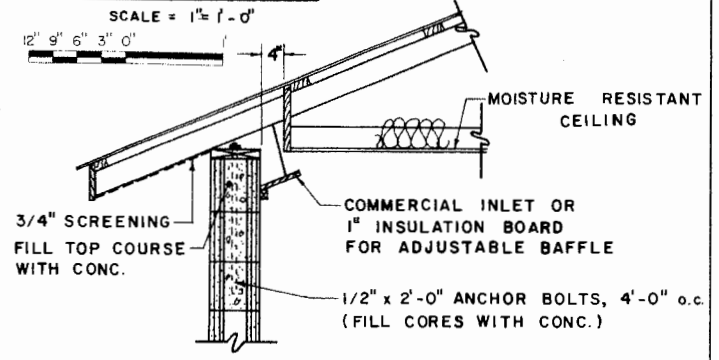
**TYPICAL SECTION**

SCALE = 3/8" = 1'-0"



**PIT DRAIN DETAIL**

SCALE = 1" = 1'-0"



**AIR INLET**

SCALE: 3/4" = 1'-0" UNLESS NOTED



## Disclaimer

This site makes available conceptual plans that can be helpful in developing building layouts and selecting equipment for various agricultural applications. These plans do not necessarily represent the most current technology or construction codes. They are not construction plans and do not replace the need for competent design assistance in developing safe, legal and well-functioning agricultural building system. The LSU Agriculture Center, the Mid-West Plan Service, the United States Department of Agriculture and none of the cooperating land-grant universities warranty these plans.