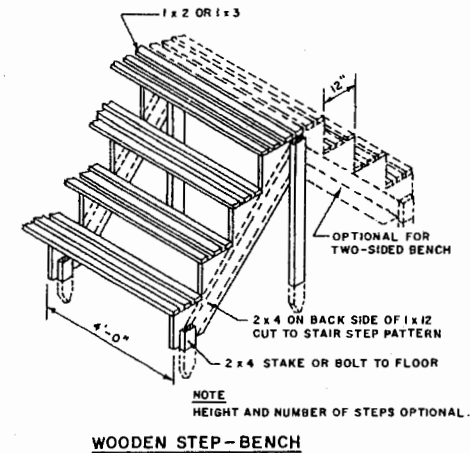
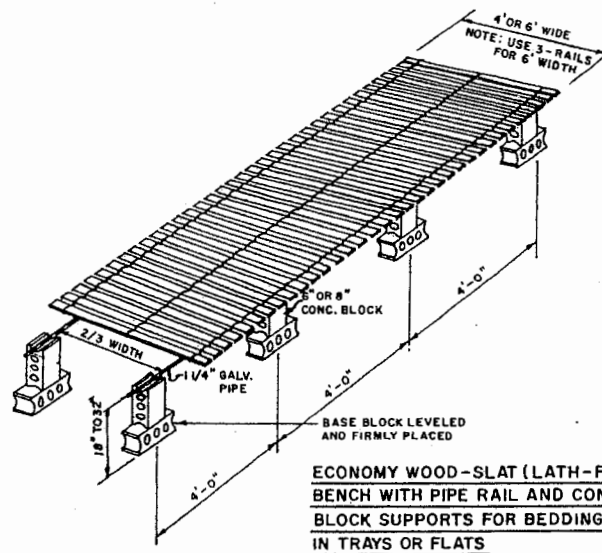
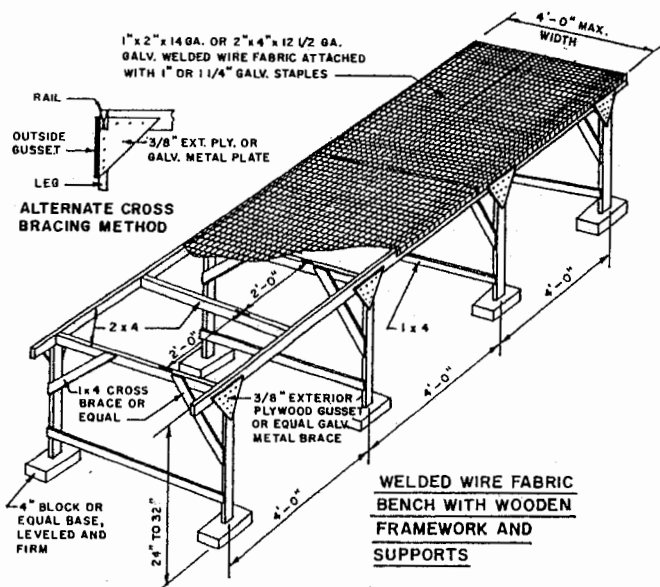


MENTION OF A TRADE NAME DOES NOT CONSTITUTE A GUARANTEE OR WARRANTY OF THE PRODUCT BY THE U.S. DEPARTMENT OF AGRICULTURE OR AN ENDORSEMENT BY THE DEPARTMENT OVER OTHER PRODUCTS NOT MENTIONED.

NOTE: FOR ALL LUMBER, USE DECAY RESISTANT SPECIES LIKE REDWOOD, OR PINE AND FIR, PRESSURE TREATED WITH A WATER-BORNE SALT-TYPE PRESERVATIVE, FOR LONG LIFE. METAL ANGLES HOLDING SIDEBOARDS MAY BE ON OUTSIDE SURFACE, IF PREFERRED.



GREENHOUSE BENCHES

KY. '73 EX. 6163 SHEET 1 OF 1

BASED ON: UNIV. OF KENTUCKY PLAN NO. U771-10

Disclaimer

This site makes available conceptual plans that can be helpful in developing building layouts and selecting equipment for various agricultural applications. These plans do not necessarily represent the most current technology or construction codes. They are not construction plans and do not replace the need for competent design assistance in developing safe, legal and well-functioning agricultural building system. The LSU Agriculture Center, the Mid-West Plan Service, the United States Department of Agriculture and none of the cooperating land-grant universities warranty these plans.