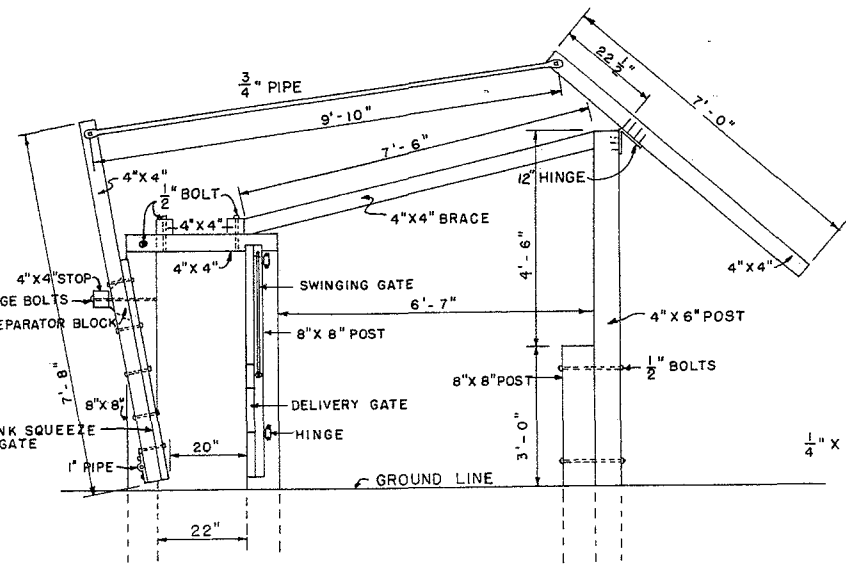
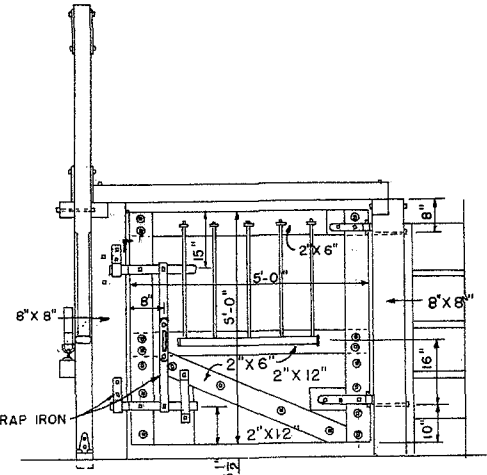


ELEVATION SHOWING BODY SQUEEZE

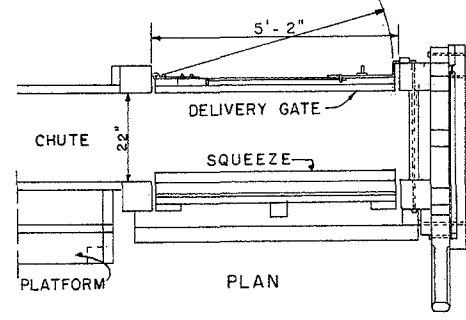


SECTION SHOWING BODY SQUEEZE

SCALE: 1/2" = 1'-0"



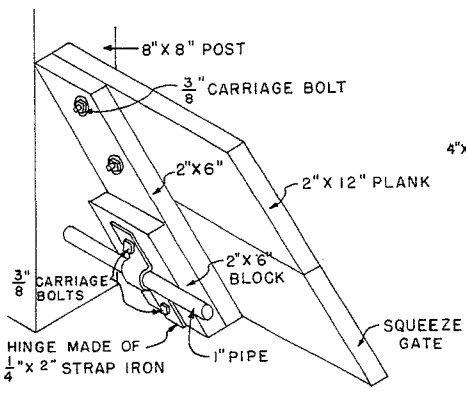
ELEVATION SHOWING DELIVERY GATE
BODY SQUEEZE OMITTED



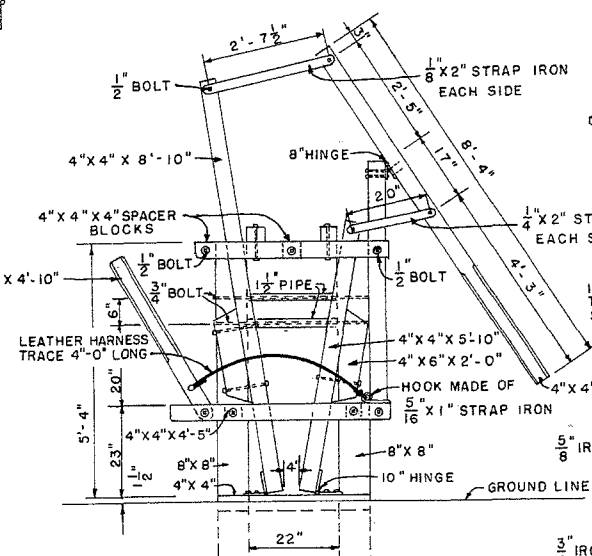
PLAN

NOTE USE CARRIAGE BOLTS, OR COUNTERSINK BOLTS
HEADS ON INSIDE OF GATE AND BODY SQUEEZE.

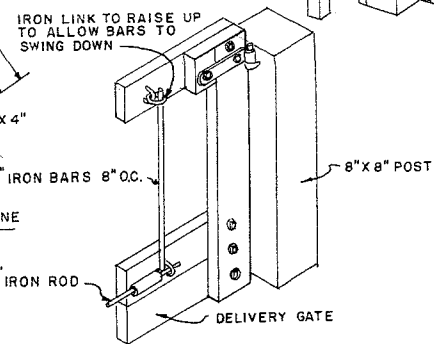
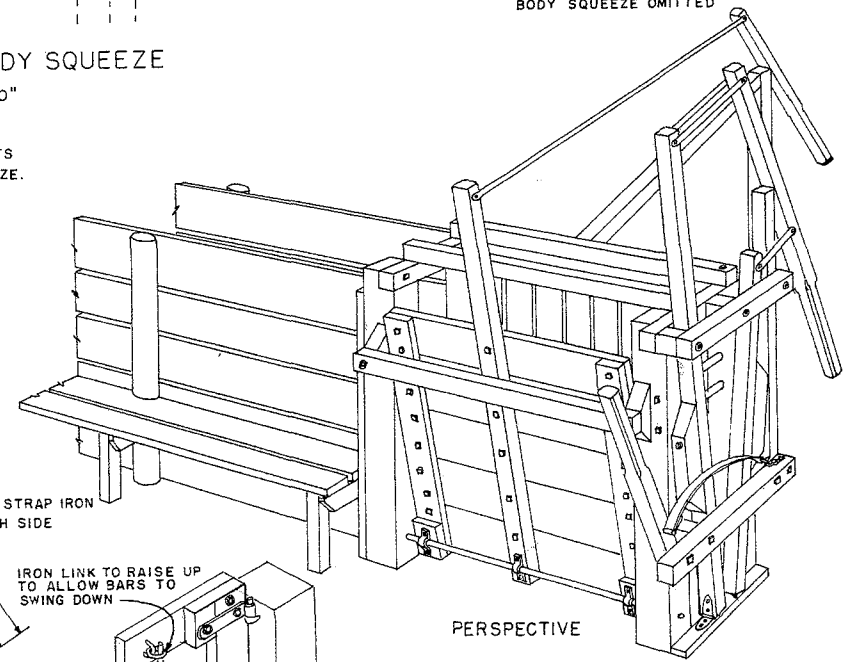
ALL WOOD ESPECIALLY THAT IN CONTACT
WITH GROUND SHOULD BE PRESSURE
TREATED WITH PRESERVATIVE



SQUEEZE GATE HINGE DETAIL



ELEVATION SHOWING NECK SQUEEZE



DETAIL OF DELIVERY GATE SWINGING BARS

LSU AgCenter <small>(Research & Extension)</small>	
NEVADA TYPE CATTLE SQUEEZE	
ENGINEER ORE. 57	SCALE AS SHOWN
DRAWN BY	SHEET 1 OF 1
TRACED BY	DATE NO. 5465

Disclaimer

This site makes available conceptual plans that can be helpful in developing building layouts and selecting equipment for various agricultural applications. These plans do not necessarily represent the most current technology or construction codes. They are not construction plans and do not replace the need for competent design assistance in developing safe, legal and well-functioning agricultural building system. The LSU Agriculture Center, the Mid-West Plan Service, the United States Department of Agriculture and none of the cooperating land-grant universities warranty these plans.