

GATES - 12' LONG
EXCEPT "A"

PLAN
SCALE: 1/8" = 1'-0"

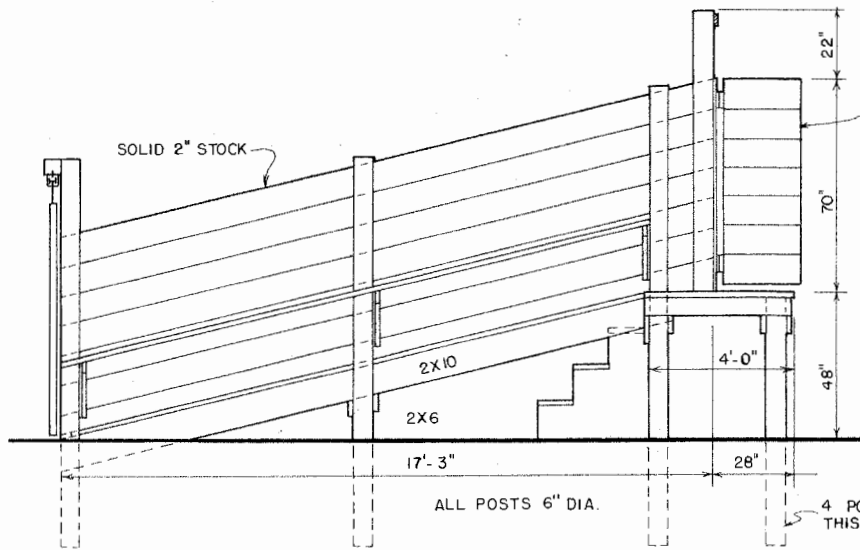
DESIGNED BY: AL LANE

ARIZ. PLAN A136

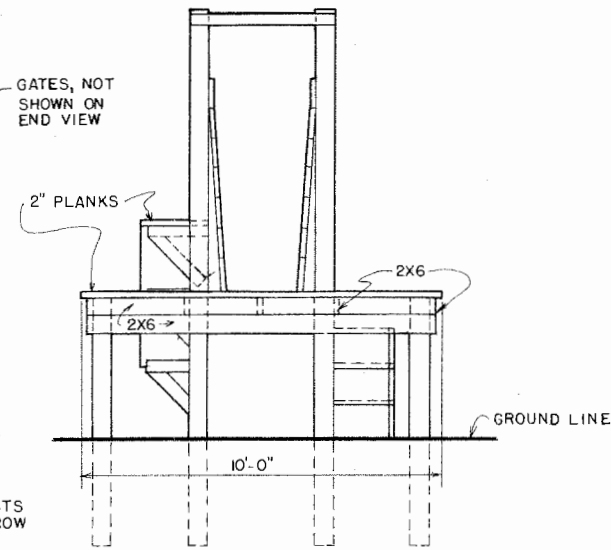


**CORRAL
WITH CURVED CHUTE**

ENGINEER	ARIZ.- A136	SCALE	
DRAWN BY		SHEET	1 OF 2
TRACED BY		DATE	NO. 6049

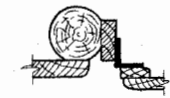


SIDE VIEW



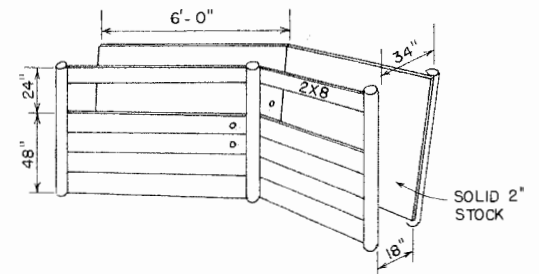
END VIEW

LOADING CHUTE
 SCALE: 3/8"=1'-0"
 INSTALL CLEATS ON MAN AND ANIMAL RAMPS

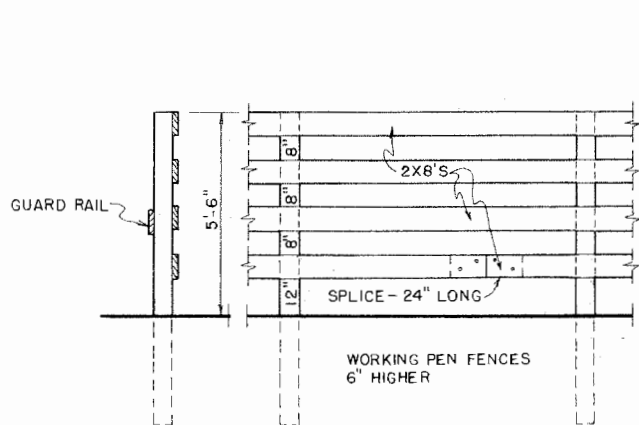


PLAN AT HINGE

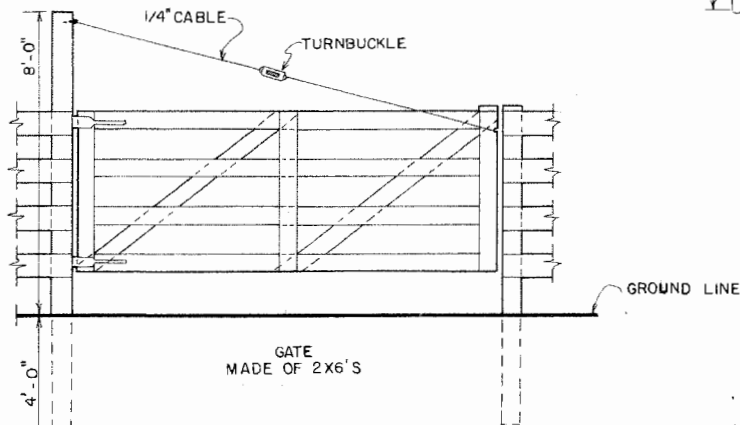
AVOID PROJECTING BOLTS. USE TREATED POSTS.



CHUTE SECTION



FENCE



12' GATE

SCALE: 3/8"=1'-0"

LSU AgCenter <small>Research & Extension</small>	
CORRAL WITH CURVED CHUTE	
ENGINEER ARIZ.-A136	SCALE
DRAWN BY	SHEET 2 OF 2
TRACED BY	DATE NO. 6049

Disclaimer

This site makes available conceptual plans that can be helpful in developing building layouts and selecting equipment for various agricultural applications. These plans do not necessarily represent the most current technology or construction codes. They are not construction plans and do not replace the need for competent design assistance in developing safe, legal and well-functioning agricultural building system. The LSU Agriculture Center, the Mid-West Plan Service, the United States Department of Agriculture and none of the cooperating land-grant universities warranty these plans.