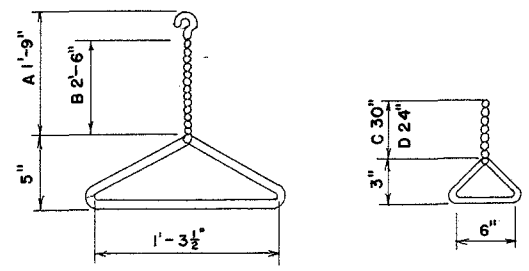
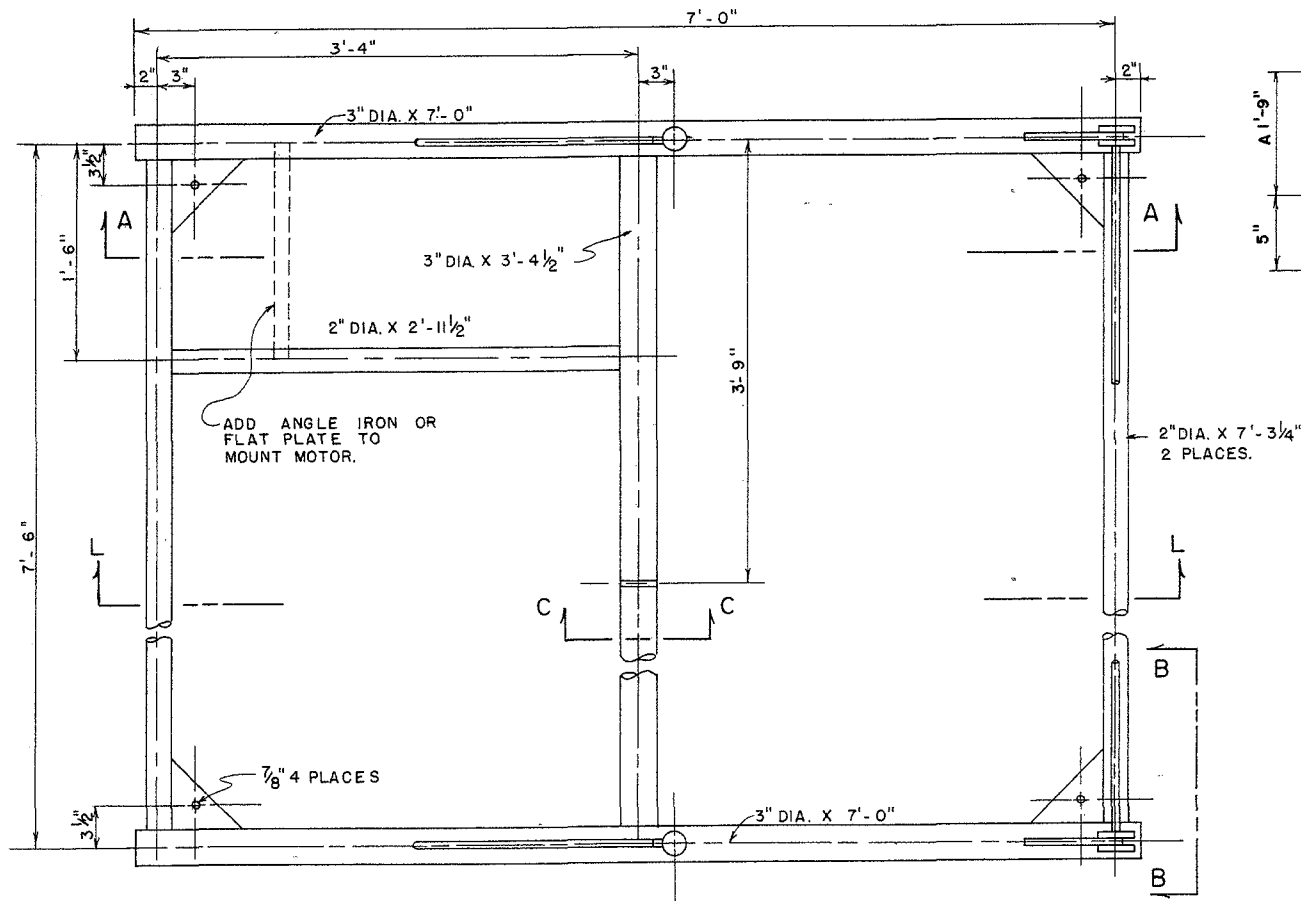
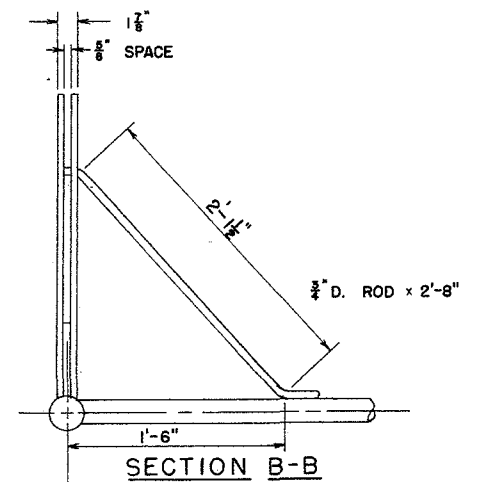


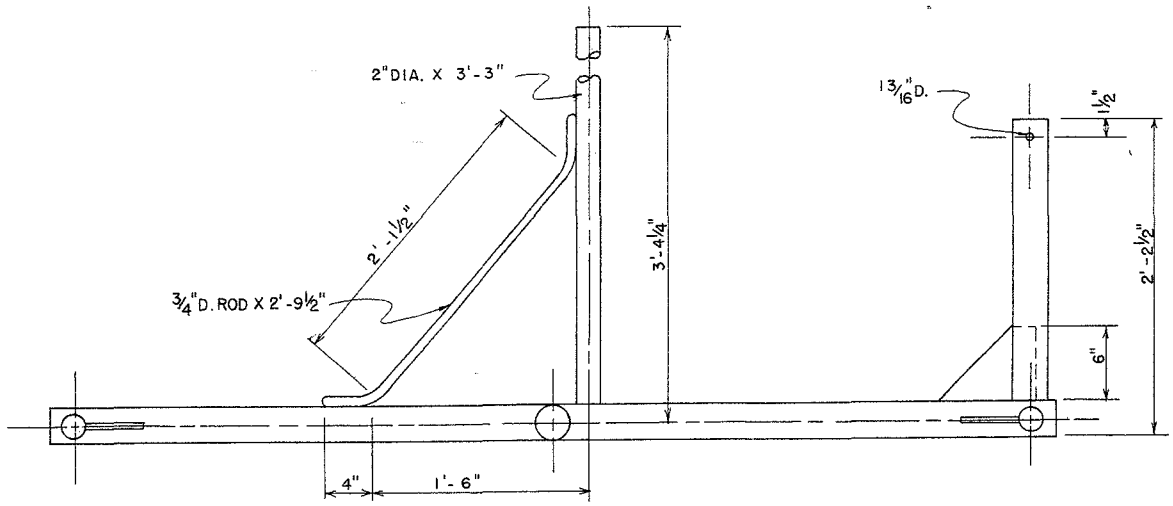
- A 2 REQD. W/ CHAIN & HOOK
- B 2 REQD. W/ CHAIN & HOOK
- C 1 REQD.
- D 1 REQD.



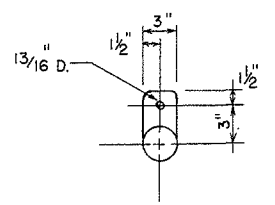
ACCESSORIES FOR HEADBOARD



SECTION B-B



SECTION A-A

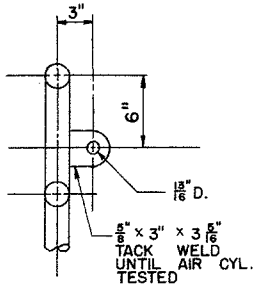


SECTION C-C



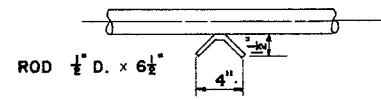
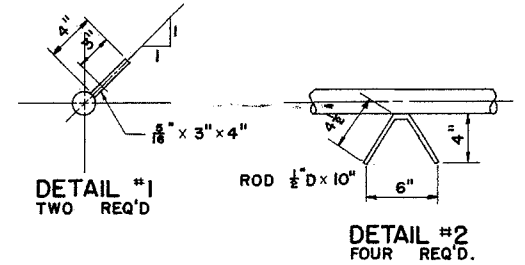
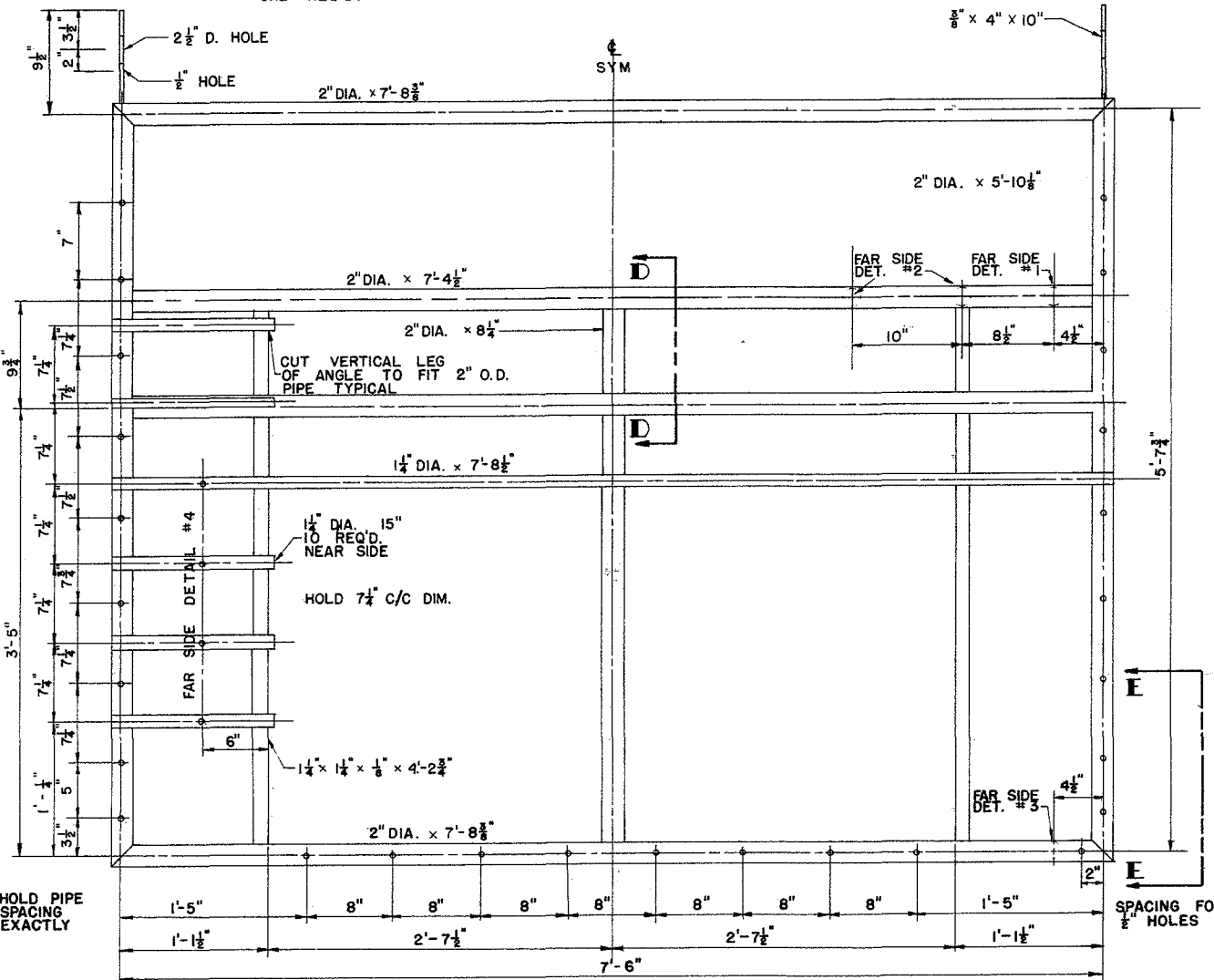
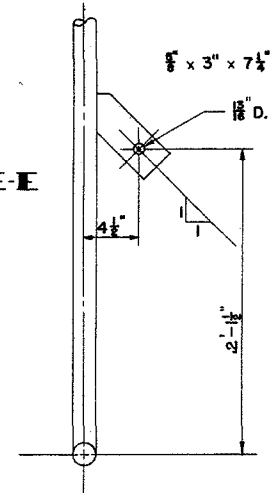
MANICURING TABLE FOR BULLS

ENGINEER	SCALE 1/8" = 1"
DRAWN BY GED	SHEET 1 OF 5
TRACED BY VRJ	DATE
	NO. 24-11

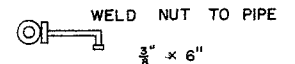


SECTION D-D
ONE REQ'D.

SECTION E-E
TWO REQ'D.



DETAIL #3
TWO REQ'D.



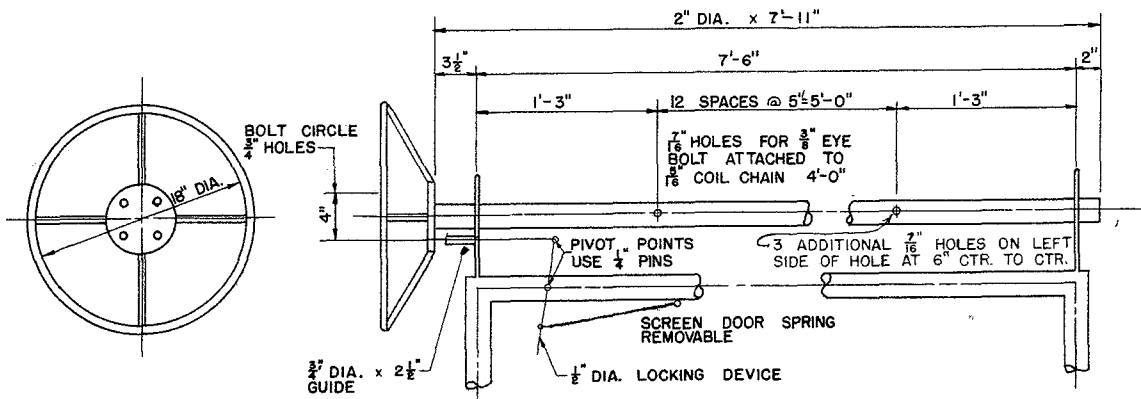
DETAIL #4
EIGHT REQ'D.

DETAILS 1-3 REFER TO ROPE FOR TYING DOWN HOOVES OF ANIMAL.

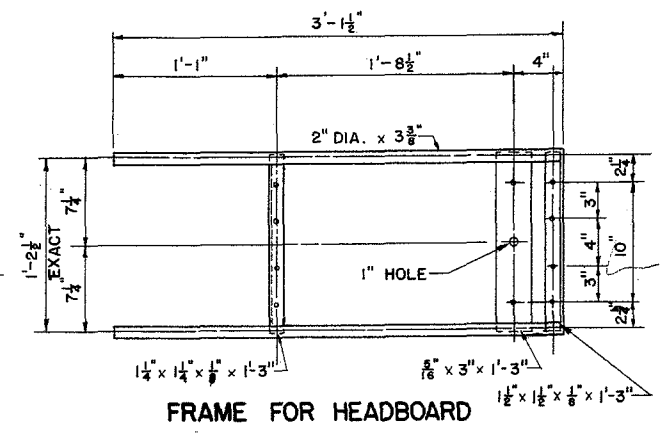


MANICURING TABLE FOR BULLS

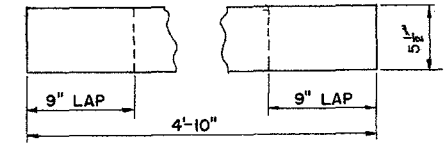
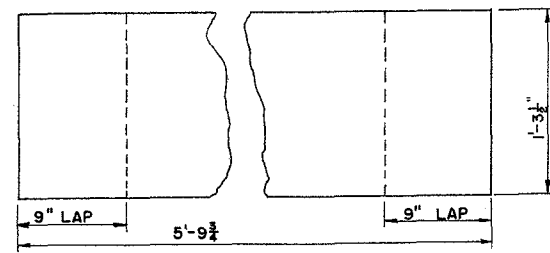
ENGINEER	SCALE 1/8" = 1'
DRAWN BY GED	SHEET 2 OF 5
TRACED BY RKL	DATE
	NO. 24-11



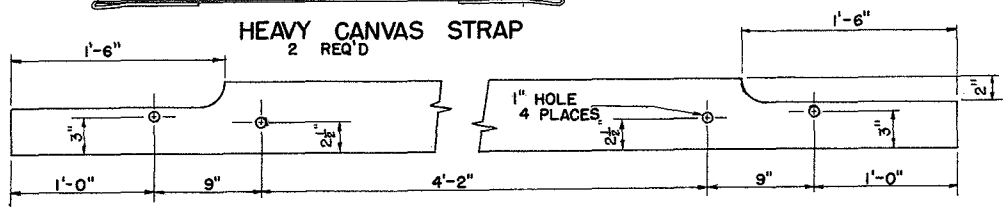
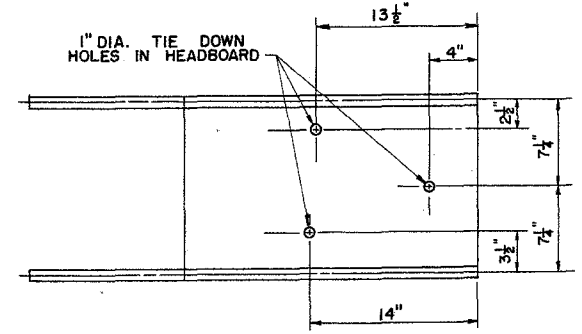
DETAIL OF HANDWHEEL



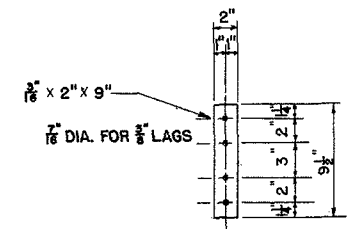
FRAME FOR HEADBOARD



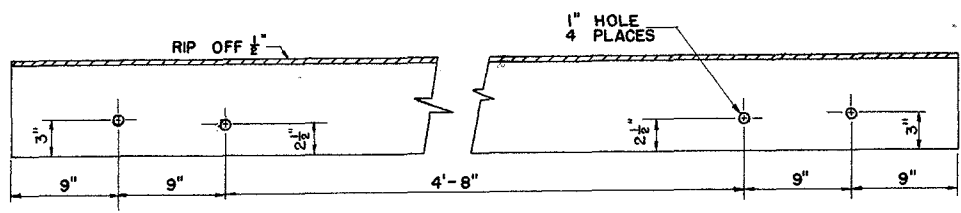
HEAVY CANVAS STRAP
ONE REQ'D
3 PLY HEAVY DUTY CANVAS
DOUBLE STITCH



SECOND BOARD FROM BOTTOM
2" x 6" 7'-8"

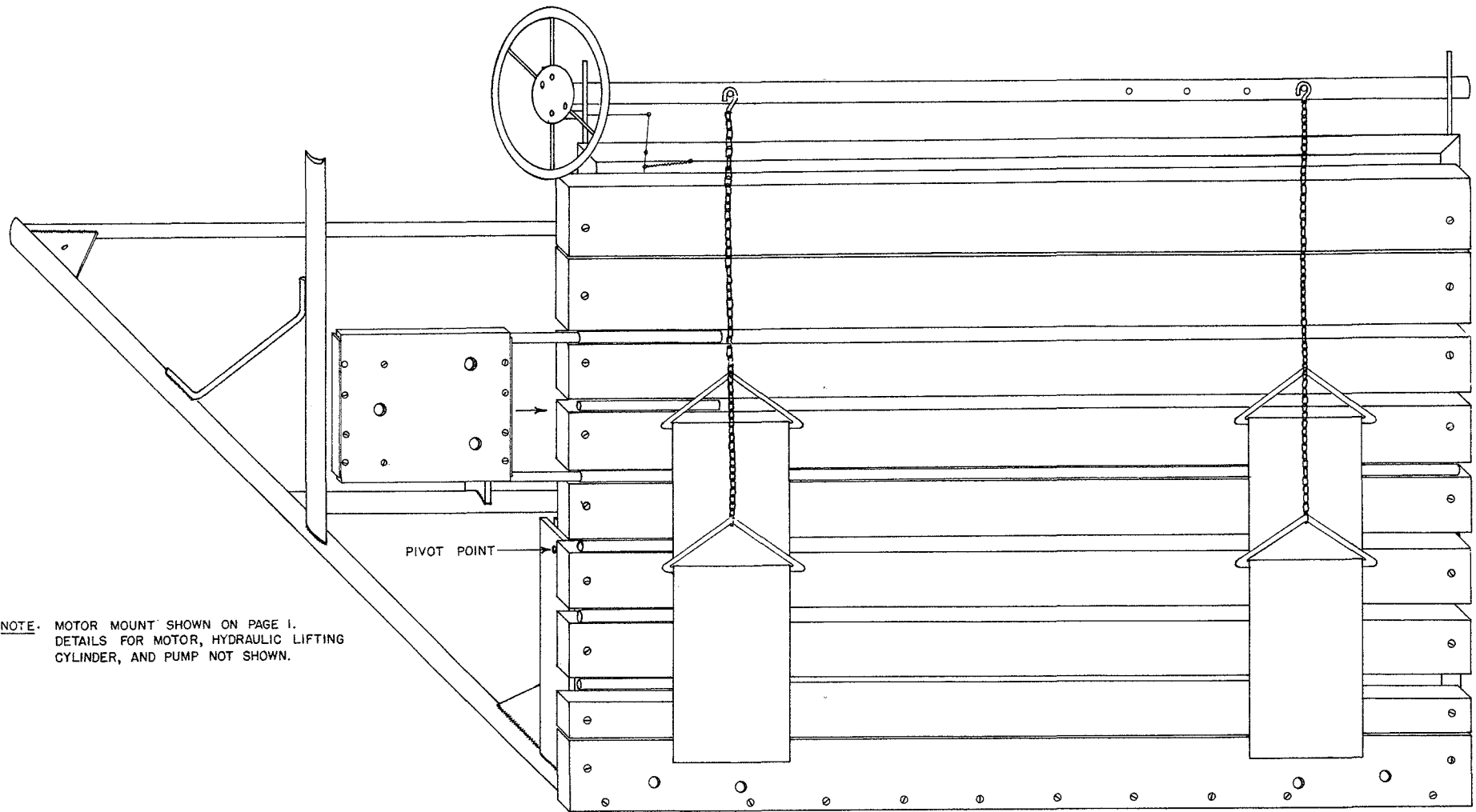


TIE BAR FOR BOTTOM
TWO BOARDS
3 REQ'D



BOTTOM BOARD
2" x 8" 7'-8"

MANICURING TABLE FOR BULLS	
ENGINEER	SCALE 1/8" = 1"
DRAWN BY GED	SHEET 3 OF 5
TRACED BY RKL	DATE NO. 24-11



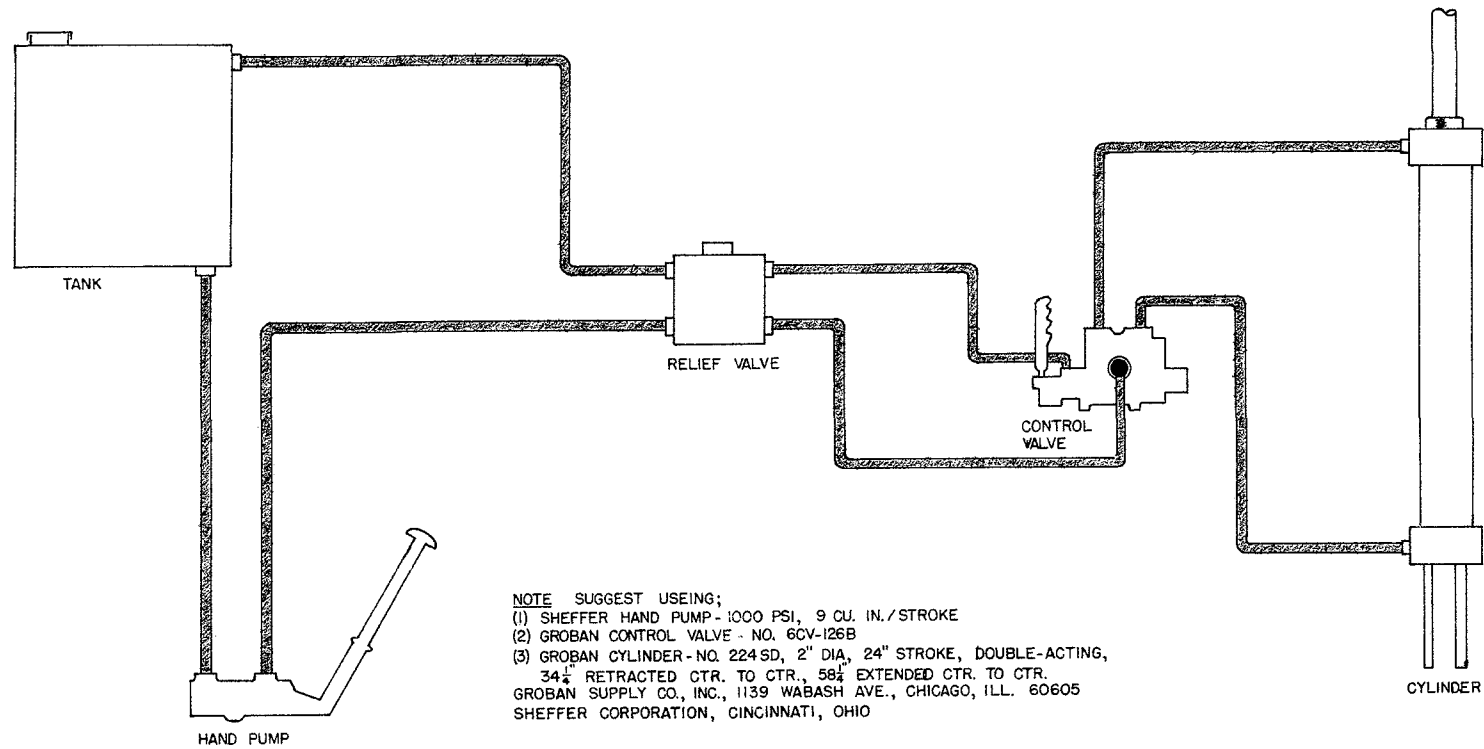
NOTE. MOTOR MOUNT SHOWN ON PAGE 1.
 DETAILS FOR MOTOR, HYDRAULIC LIFTING
 CYLINDER, AND PUMP NOT SHOWN.

PIVOT POINT

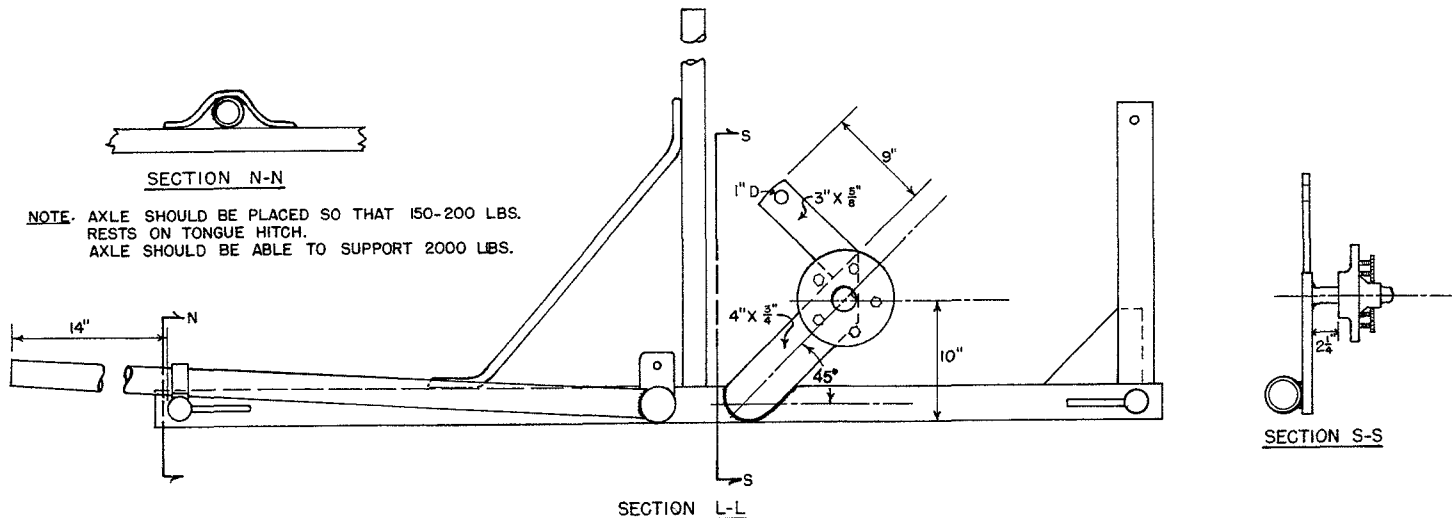


MANICURING TABLE
 FOR BULLS

ENGINEER	SCALE $\frac{1}{8}'' = 1''$
DRAWN BY RCB	SHEET 4 OF 5
TRACED BY RCB	DATE 6-29-76 NO. 24-11



NOTE: THE USE OF TRADE NAMES IS FOR CLARIFICATION ONLY AND DOES NOT SIGNIFY ENDORSEMENT OF THE PRODUCT.



MANICURING TABLE FOR BULLS	
ENGINEER F.E. BAKER	SCALE 1/2" = 1"
DRAWN BY R.C.B.	SHEET 5 OF 5
TRACED BY R.C.B.	DATE 7-28-76 NO. 24-11

Disclaimer

This site makes available conceptual plans that can be helpful in developing building layouts and selecting equipment for various agricultural applications. These plans do not necessarily represent the most current technology or construction codes. They are not construction plans and do not replace the need for competent design assistance in developing safe, legal and well-functioning agricultural building system. The LSU Agriculture Center, the Mid-West Plan Service, the United States Department of Agriculture and none of the cooperating land-grant universities warranty these plans.