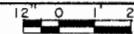
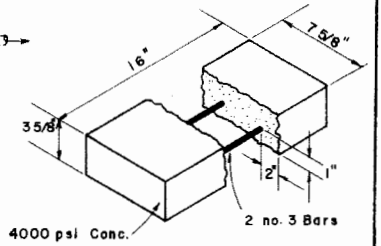
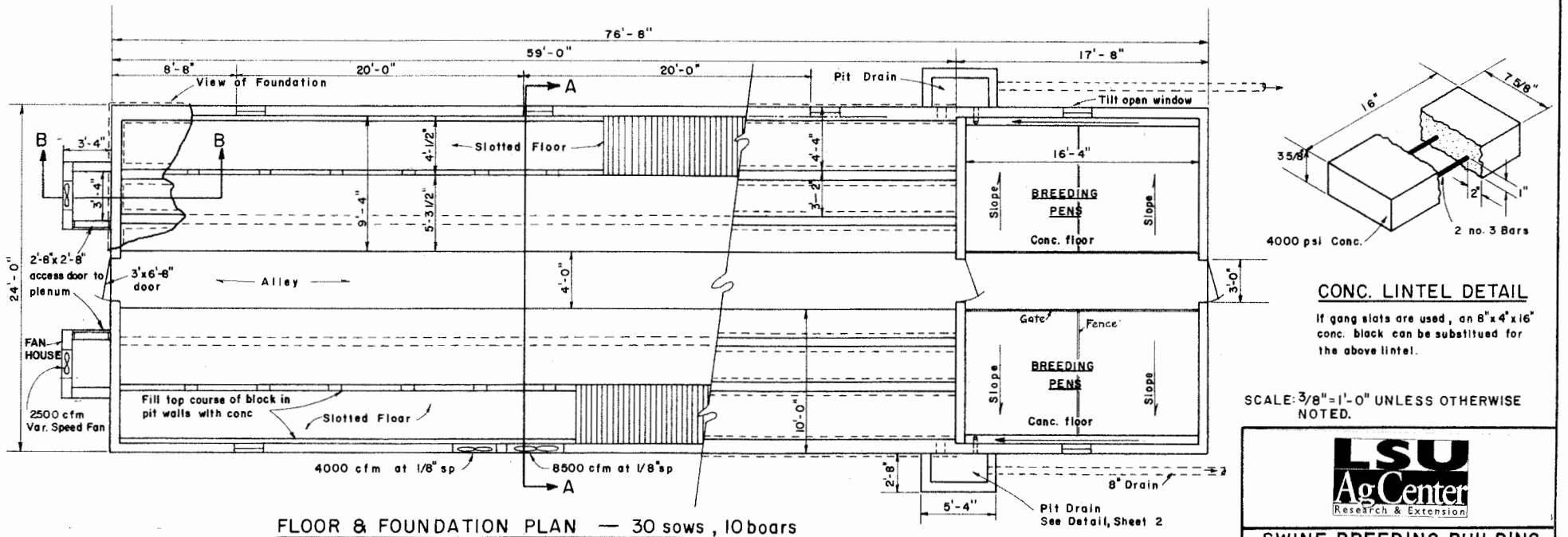
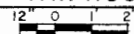


NOTE 1:
Velocity of conditioned air exiting flexible duct at stall must be 800 to 1000 ft. per min.

SECTION A-A



SECTION B-B, FAN HOUSE & DUCT

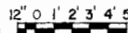


CONC. LINTEL DETAIL
If gang slats are used, an 8" x 4" x 16" conc. block can be substituted for the above lintel.

SCALE: 3/8" = 1'-0" UNLESS OTHERWISE NOTED.

FLOOR & FOUNDATION PLAN - 30 sows, 10 boars

SCALE - 3/16" = 1'-0"



NOTE: CONSULT LOCAL HEALTH AND BUILDING CODE AUTHORITIES BEFORE STARTING CONSTRUCTION.

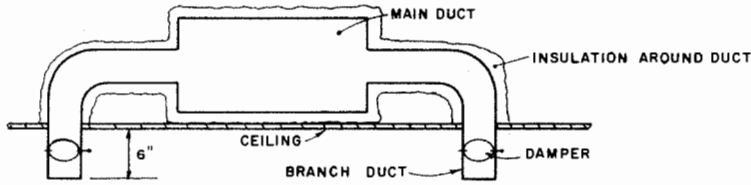
BASED ON: N.C. STATE UNIV. PLAN NO. 531

LSU
AgCenter
Research & Extension

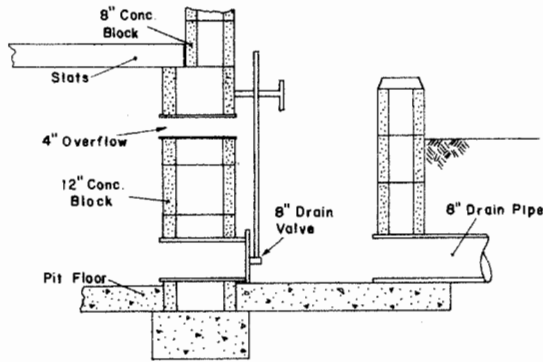
SWINE BREEDING BUILDING CONTROLLED ENVIRONMENT

N.C.	'75	6 2 15	SHEET 1 OF 2
------	-----	--------	--------------

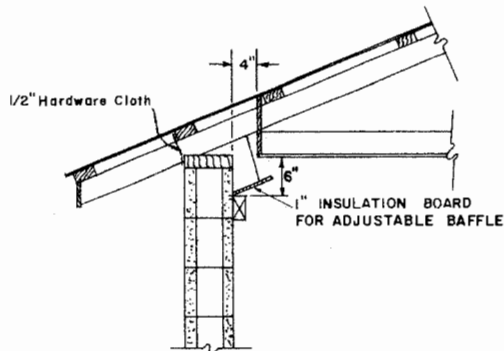
DUCTS TO BE SIZED BY AIR CONDITIONER CONTRACTOR TO DELIVER 0.15 TONS OR 1800 BTU/HR OF REFRIGERATION WITH A VELOCITY OF 800 TO 1000 FT/MIN.



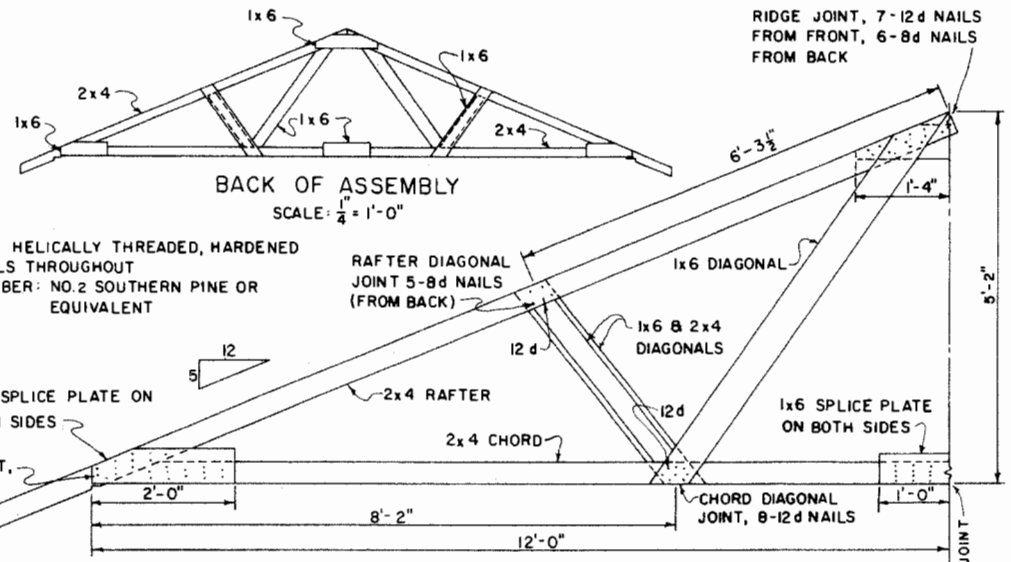
DETAIL I
SCALE: 1/4" = 1'-0"
SECTION THRU COOLING DUCT.



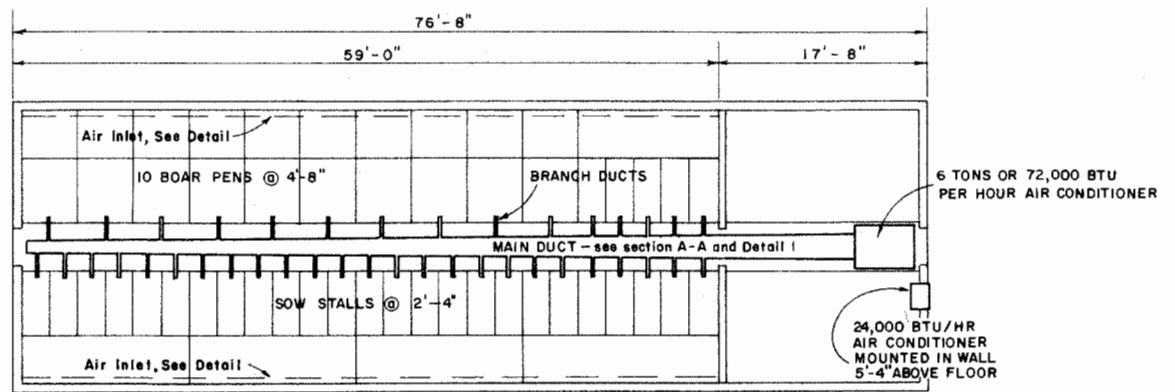
PIT DRAIN DETAIL



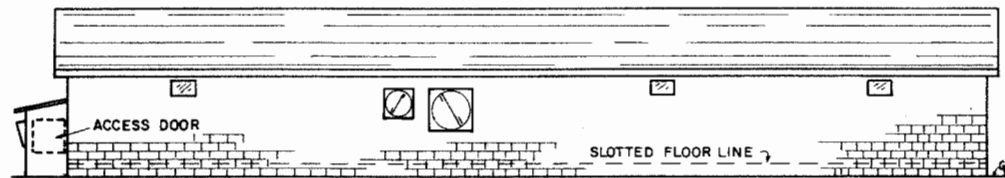
AIR INLET



TRUSS DETAILS - HALF ASSEMBLY



LAYOUT OF AIR CONDITIONER SYSTEM



RIGHT SIDE ELEVATION

SCALE - 1/8" = 1'-0"
12' 0" 4' 8"

SCALE: 3/4" = 1'-0" UNLESS OTHERWISE NOTED.



SWINE BREEDING BUILDING
CONTROLLED ENVIRONMENT

N.C. '75 6 215 SHEET 2 OF 2

Disclaimer

This site makes available conceptual plans that can be helpful in developing building layouts and selecting equipment for various agricultural applications. These plans do not necessarily represent the most current technology or construction codes. They are not construction plans and do not replace the need for competent design assistance in developing safe, legal and well-functioning agricultural building system. The LSU Agriculture Center, the Mid-West Plan Service, the United States Department of Agriculture and none of the cooperating land-grant universities warranty these plans.