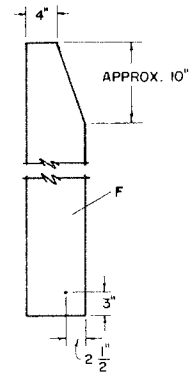
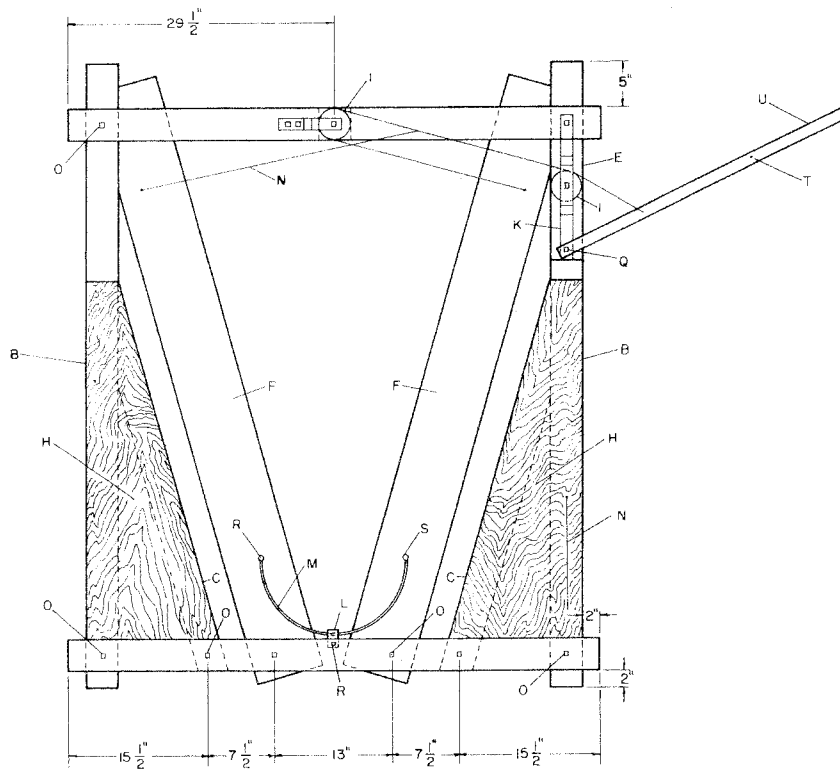


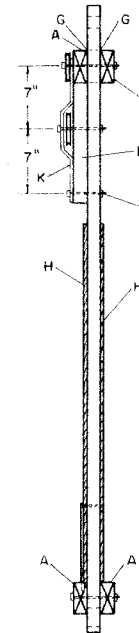
TOP VIEW



NECK BOARD DETAIL



FRONT VIEW



SIDE VIEW

HANDLE NOT SHOWN

MATERIAL LIST		
ITEM	NO.	DESCRIPTION
A	4	2" X 4" X 59" HORIZONTALS
B	2	2" X 4" X 69" UPRIGHTS
C	2	2" X 4" X 45" BRACE
D	1	2" X 4" X 4" BLOCK
E	1	2" X 4" X 13" BLOCK
F	2	2" X 8" X 67" NECK BOARD
G	14	1/8" X 4" X 4" HARDBOARD SPACER
H	4	2" X 15" X 39" EXT. PLYWOOD BRACE
I	2	3" PULLEYS
J	1	3/16" X 8" STRAP IRON
K	1	2" X 17" STRAP IRON
L	1	1" X 4" STRAP IRON
M	1	32" SPRING TOOTH
N	1	3/16" X 124" CHAIN
O	8	1/4" X 5" MACHINE BOLT
P	1	1/4" X 6" MACHINE BOLT
Q	1	1" X 3 1/2" MACHINE BOLT
R	5	1/2" X 2" MACHINE BOLT
S	2	1 1/2" CUT WASHER
T	1	HOOK
U	1	1 1/2" X 36" PIPE

NOTES:

1. WELD CUT WASHER (S) TO SPRING TOOTH (M).
2. 3/16" CABLE MAY BE SUBSTITUTED FOR CHAIN (N).
3. USE PRESSURE TREATED LUMBER FOR LONGER LASTING HEADGATE.
4. HEADGATE MAY BE MOUNTED ON CHUTE IF DESIRED.
5. LENGTH OF BOLTS BASED ON KILN DRIED LUMBER.

DESIGN BY : MYRON PAINE & PAT LEWIS  
 ACKNOWLEDGEMENT IS MADE  
 TO MAX R. CRAIGHEAD  
 (EXTENSION FORESTER) FOR  
 HIS CONTRIBUTION TO THIS  
 DESIGN.



WALK-THRU HEADGATE

OKLA. 69 6077 SHEET 1 OF 1

## Disclaimer

This site makes available conceptual plans that can be helpful in developing building layouts and selecting equipment for various agricultural applications. These plans do not necessarily represent the most current technology or construction codes. They are not construction plans and do not replace the need for competent design assistance in developing safe, legal and well-functioning agricultural building system. The LSU Agriculture Center, the Mid-West Plan Service, the United States Department of Agriculture and none of the cooperating land-grant universities warranty these plans.