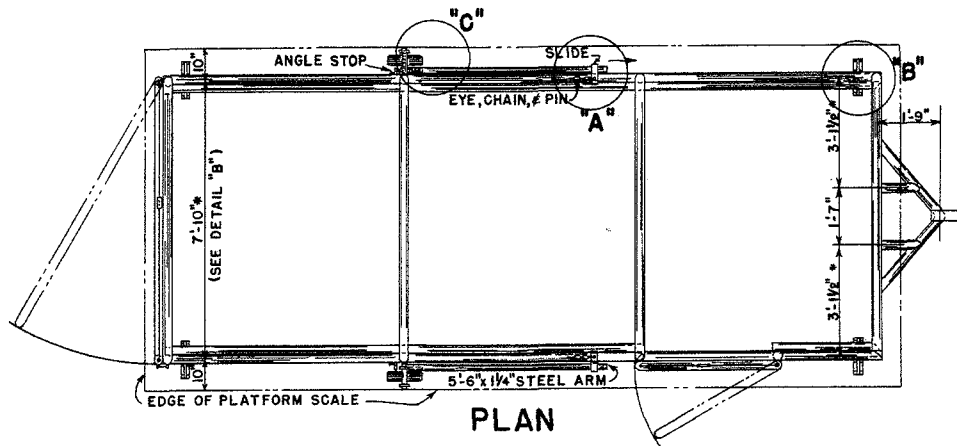
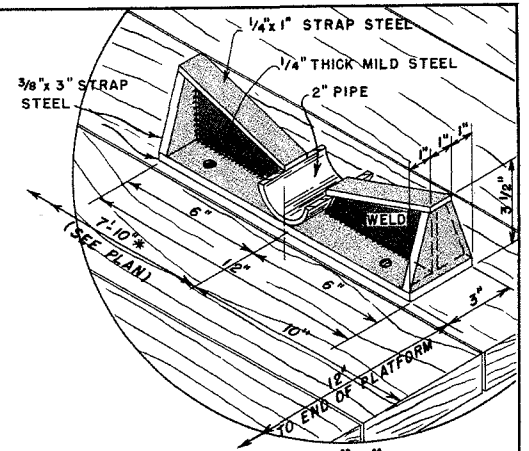


TO RELEASE ARM FOR RETRACTION OF WHEELS REMOVE PIN AND MOVE SLIDE FORWARD.

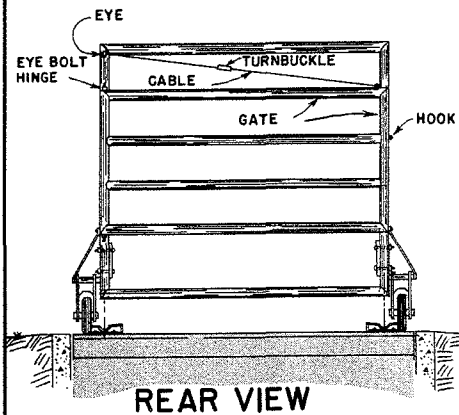
DETAIL "A"
SCALE: 3" = 1'-0"



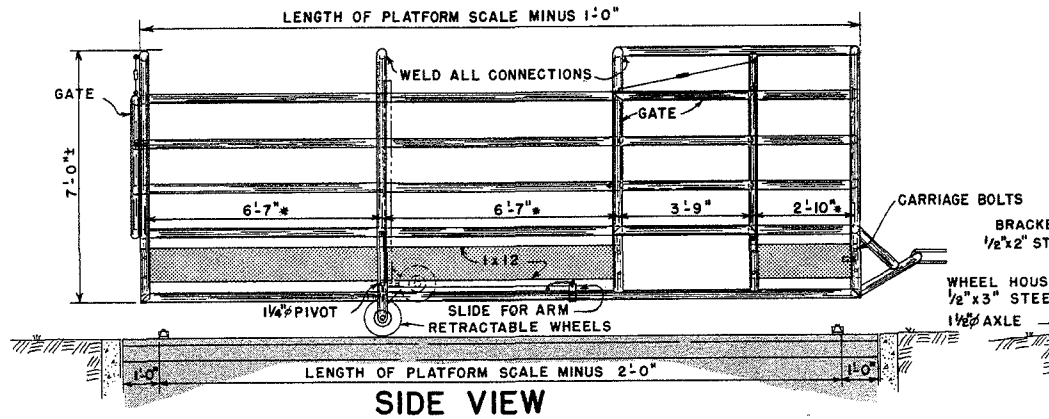
PLAN



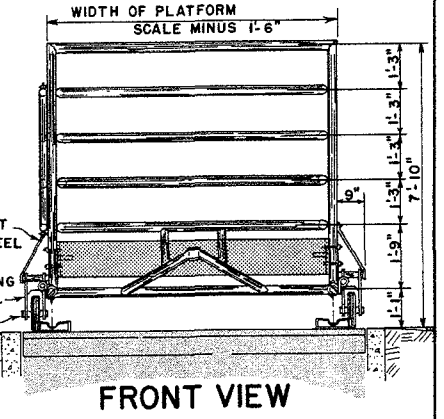
DETAIL "B"
SCALE: 3" = 1'-0"



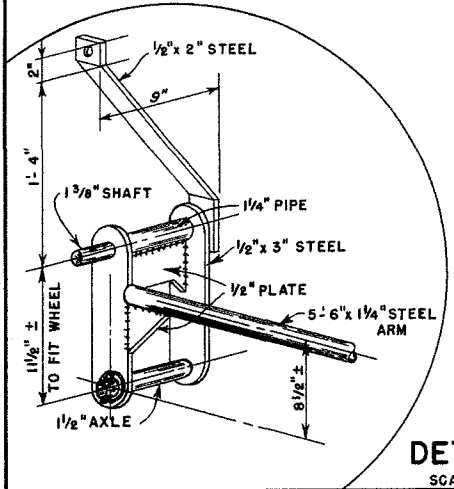
REAR VIEW



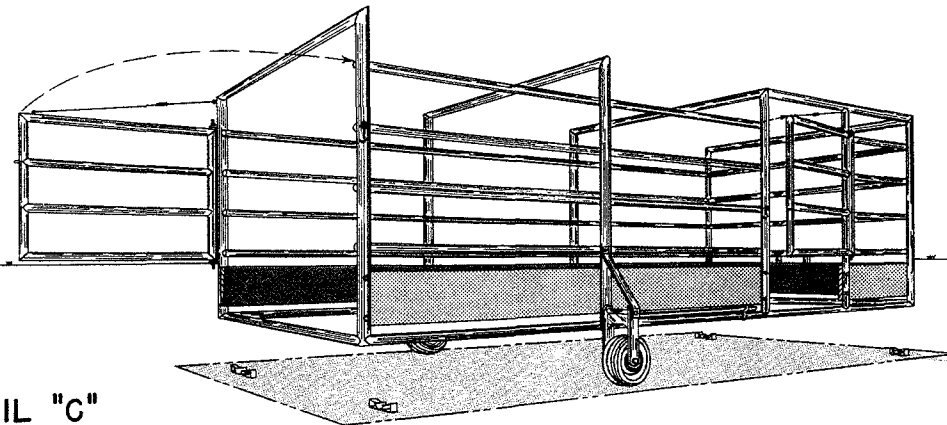
SIDE VIEW



FRONT VIEW



DETAIL "C"
SCALE: 1 1/2" = 1'-0"



NOTES:

ALL CONSTRUCTION TO BE 1 1/4" PIPE.
WELDED CONNECTIONS THRU-OUT.
* DIMENSIONS VARIABLE, BASED ON SIZE PLATFORM SCALE USED.

BASED ON MONTANA PLAN NO. 64

SCALE: 3/8" = 1'-0" UNLESS OTHERWISE NOTED



MOVABLE PEN		
FOR TRUCK PLATFORM SCALE		
USDA '61	EX. 5932	SHEET 1 OF 1

Disclaimer

This site makes available conceptual plans that can be helpful in developing building layouts and selecting equipment for various agricultural applications. These plans do not necessarily represent the most current technology or construction codes. They are not construction plans and do not replace the need for competent design assistance in developing safe, legal and well-functioning agricultural building system. The LSU Agriculture Center, the Mid-West Plan Service, the United States Department of Agriculture and none of the cooperating land-grant universities warranty these plans.