

NOTE
 SPACE POSTS TO ALLOW
 2" CLEARANCE ON EACH
 SIDE OF GATE

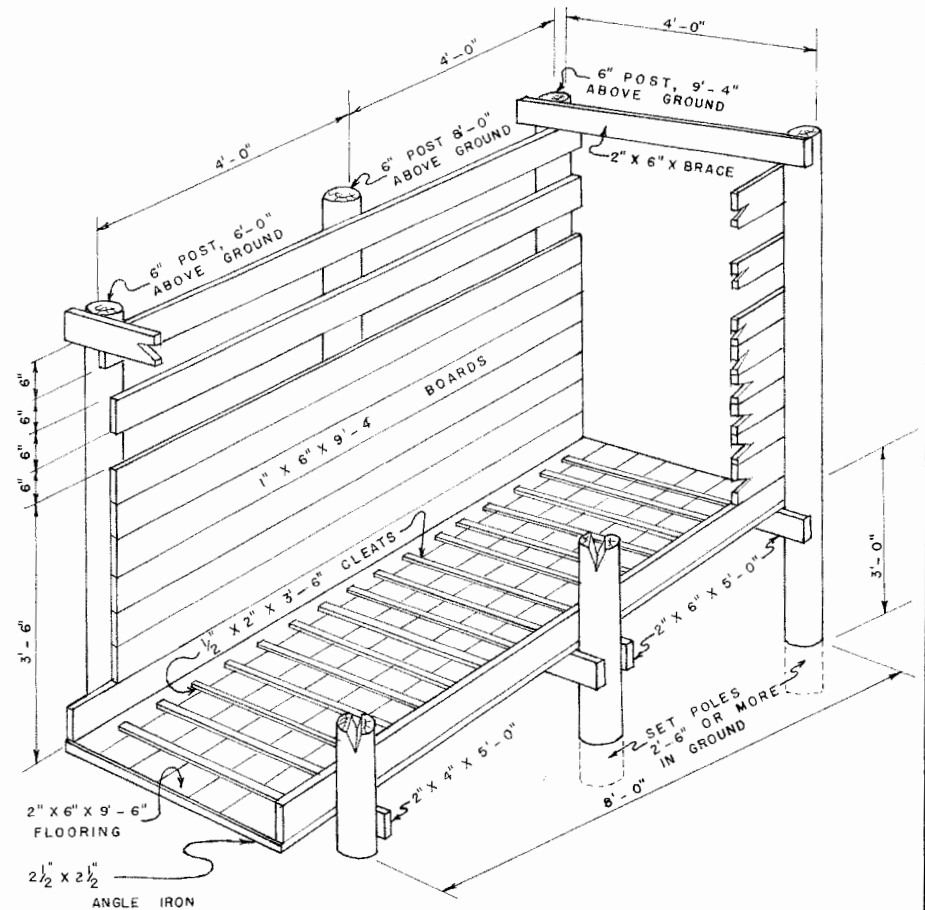
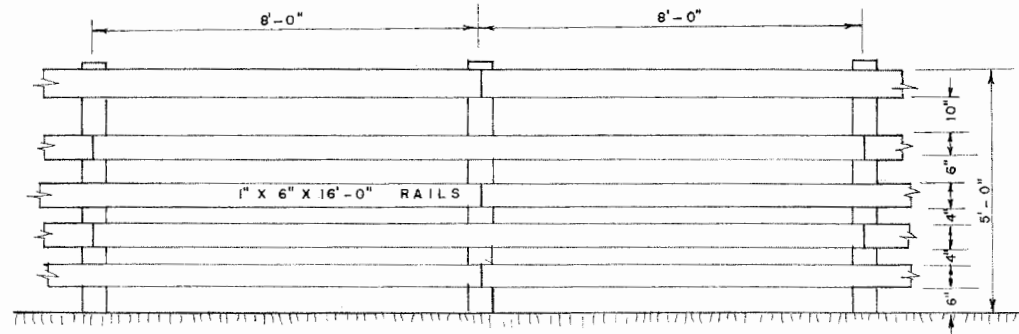
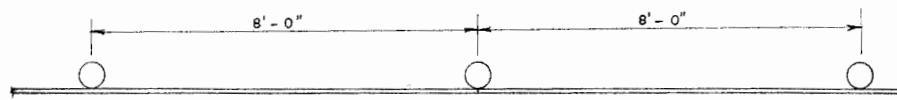
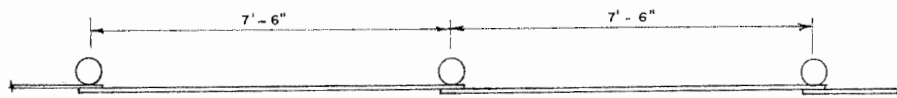
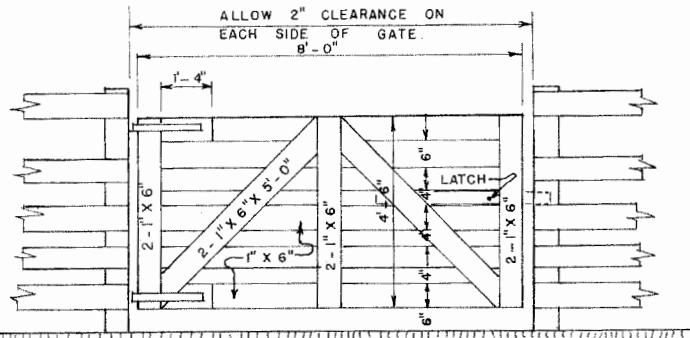
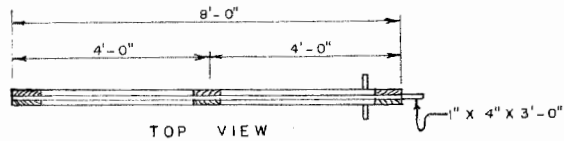
ALL WOOD IN CONTACT WITH
 EARTH SHOULD BE PRESSURE
 TREATED WITH PRESERVATIVE

P L A N



TWO - PEN CORRAL

ENGINEER	SCALE
DRAWN BY VA. '54	SHEET 1 OF 4
TRACED BY JLH	DATE NO. 5796

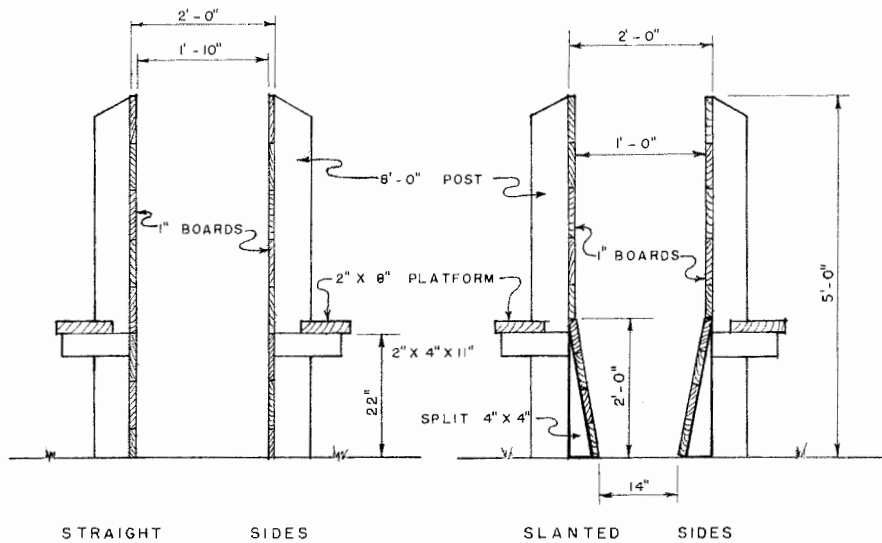


NOTE:
FENCE POSTS SHOULD BE
SET ABOUT 3'-0" IN GROUND.

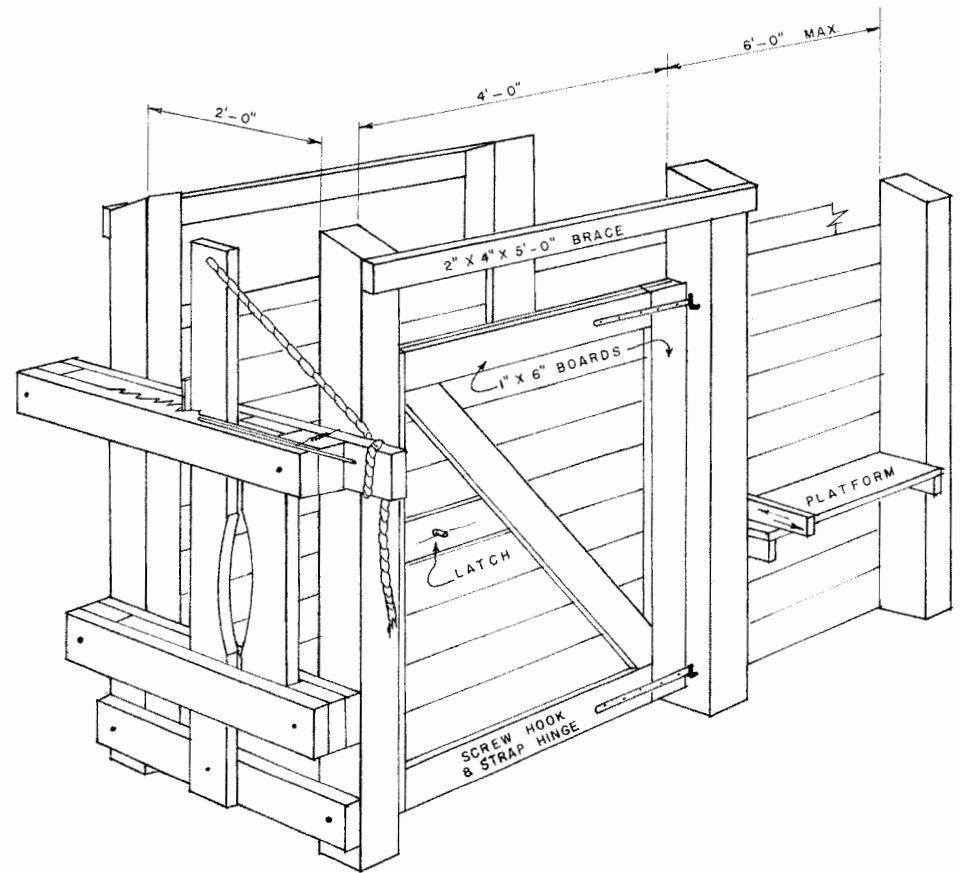


TWO-PEN CORRAL

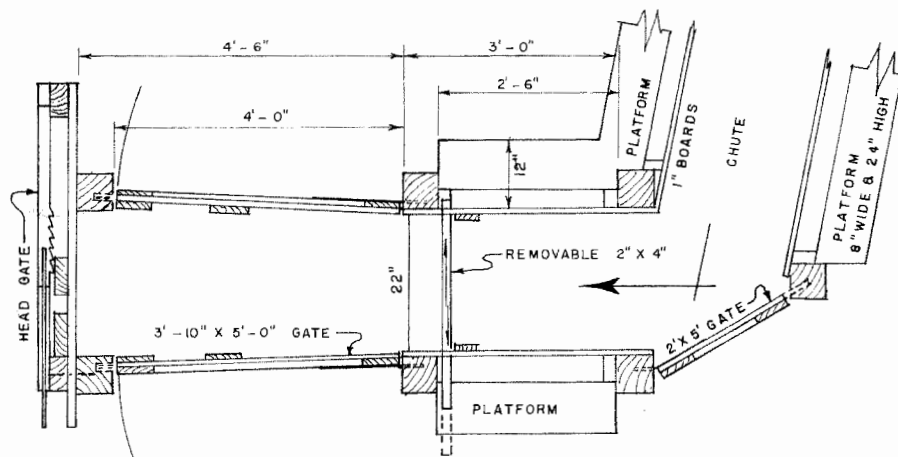
ENGINEER	SCALE: AS SHOWN
DRAWN BY	SHEET 2 OF 4
TRACED BY JEP	DATE: 6-26-67 NO. 5796



STRAIGHT SIDES SLANTED SIDES
CROSS SECTION OF CHUTE



PERSPECTIVE

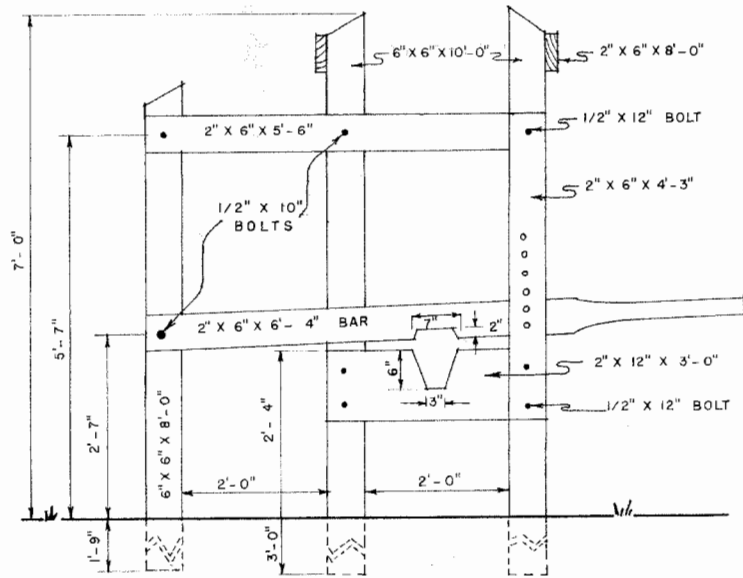


PLAN FOR HEAD GATE, EXIT GATE & CHUTE

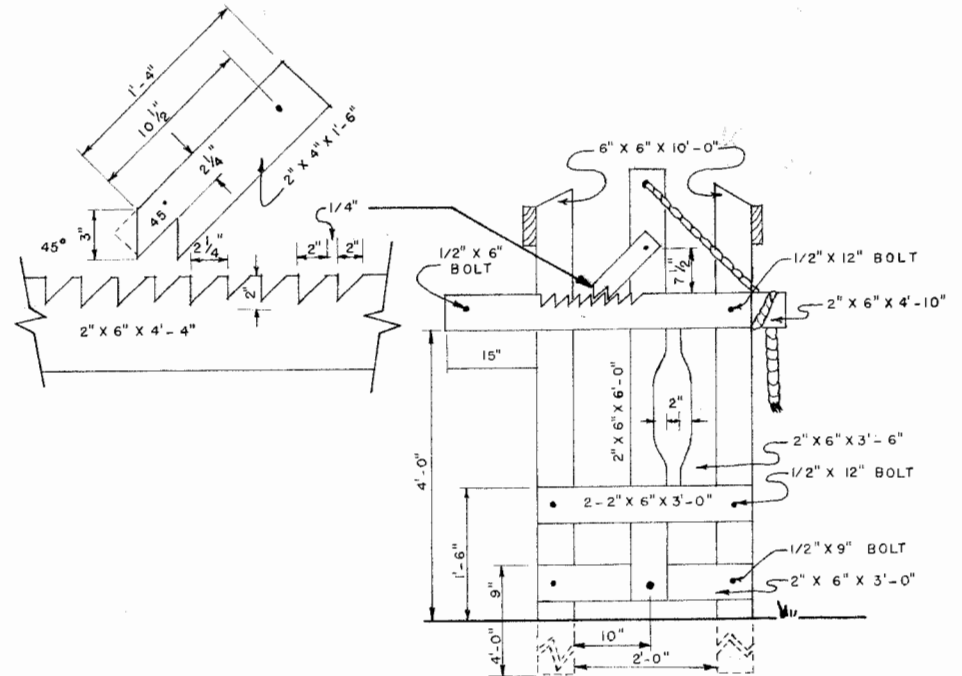


TWO-PEN CORRAL

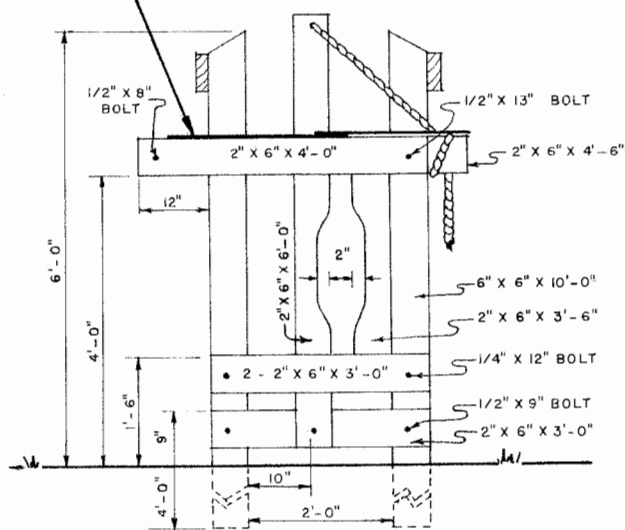
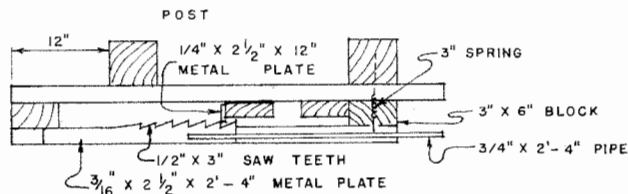
ENGINEER	SCALE: AS SHOWN
DRAWN BY	SHEET 3 OF 4
TRACED BY: JEP	DATE: 6-23-67 No. 5796



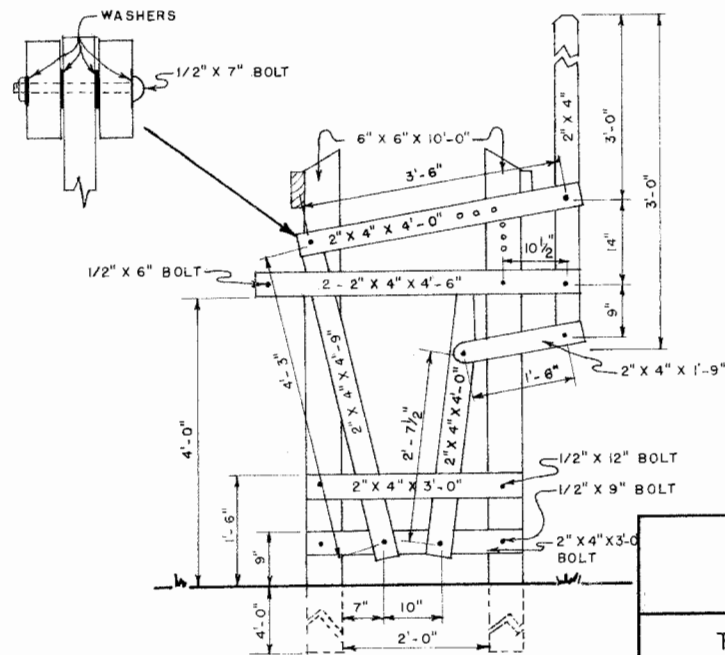
HEAD GATE NO. 4



HEAD GATE NO. 2



HEAD GATE NO. 1



HEAD GATE NO. 3



TWO-PEN CORRAL

ENGINEER	SCALE: AS SHOWN
DRAWN BY	SHEET 4 OF 4
TRACED BY: JEP	DATE: 6-30-67 NO. 5796

Disclaimer

This site makes available conceptual plans that can be helpful in developing building layouts and selecting equipment for various agricultural applications. These plans do not necessarily represent the most current technology or construction codes. They are not construction plans and do not replace the need for competent design assistance in developing safe, legal and well-functioning agricultural building system. The LSU Agriculture Center, the Mid-West Plan Service, the United States Department of Agriculture and none of the cooperating land-grant universities warranty these plans.