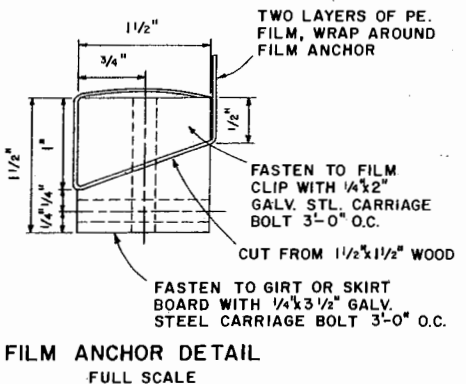
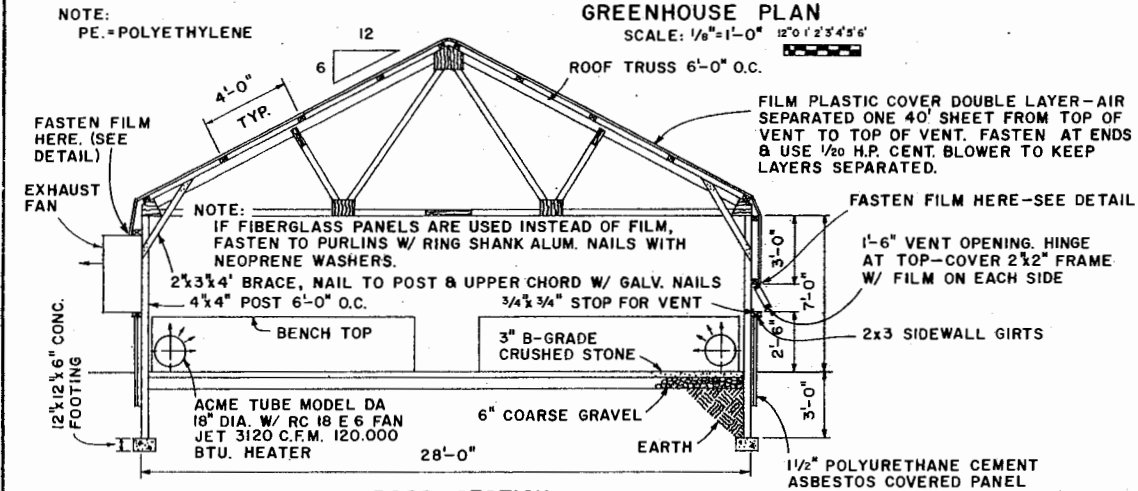


GREENHOUSE PLAN

SCALE: 1/8"=1'-0" 12'0" 1'2'3'4'5'6'

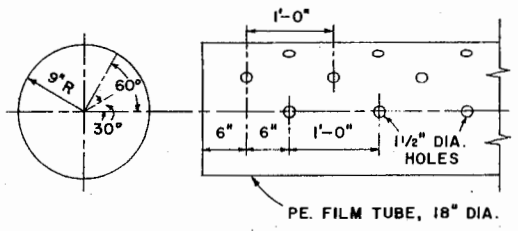


FILM ANCHOR DETAIL
FULL SCALE



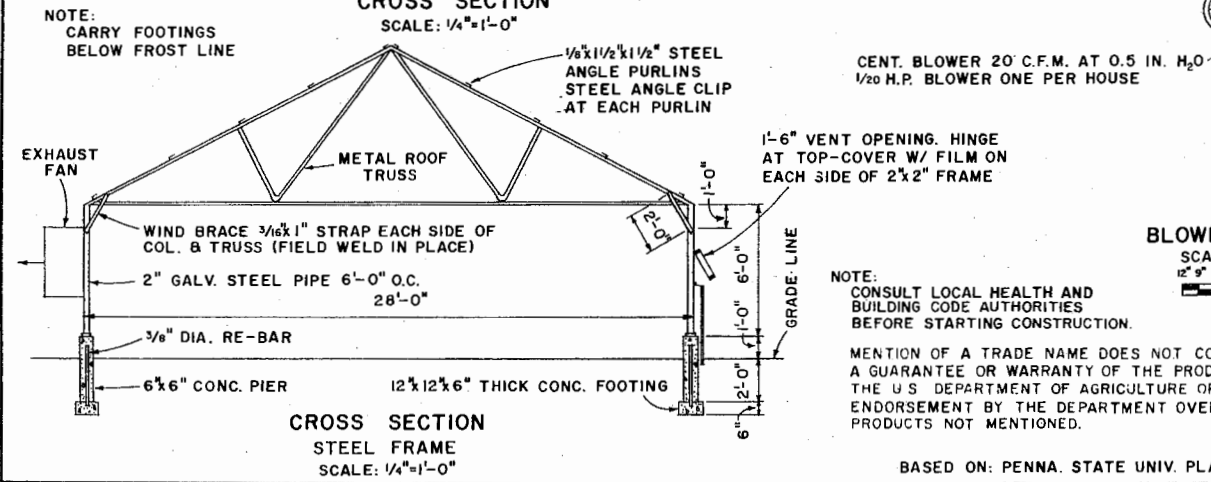
CROSS SECTION

SCALE: 1/4"=1'-0"



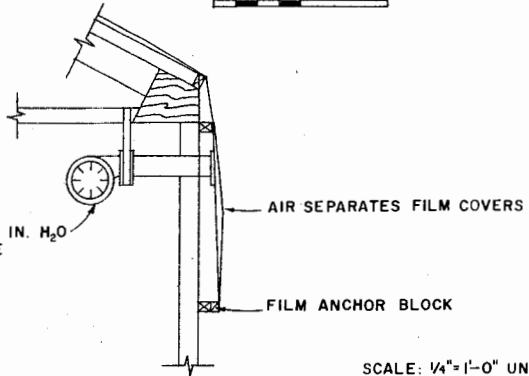
HEATING DUCT HOLE LOCATION

SCALE: 1"=1'-0"
12' 9' 6' 3' 0'



CROSS SECTION STEEL FRAME

SCALE: 1/4"=1'-0"



BLOWER DETAIL

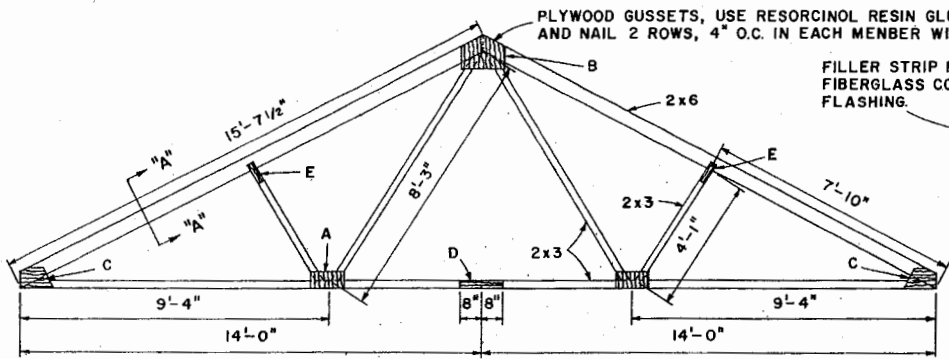
SCALE: 3/4"=1'-0"
12' 9' 6' 3' 0'

NOTE:
CONSULT LOCAL HEALTH AND BUILDING CODE AUTHORITIES BEFORE STARTING CONSTRUCTION.

MENTION OF A TRADE NAME DOES NOT CONSTITUTE A GUARANTEE OR WARRANTY OF THE PRODUCT BY THE U.S. DEPARTMENT OF AGRICULTURE OR AN ENDORSEMENT BY THE DEPARTMENT OVER OTHER PRODUCTS NOT MENTIONED.

SCALE: 1/4"=1'-0" UNLESS OTHERWISE NOTED
12' 0' 1' 2' 3' 4' 5'

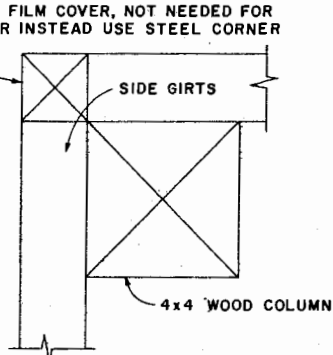
28' GREENHOUSE		
PA. '74	6185	SHEET 1 OF 3



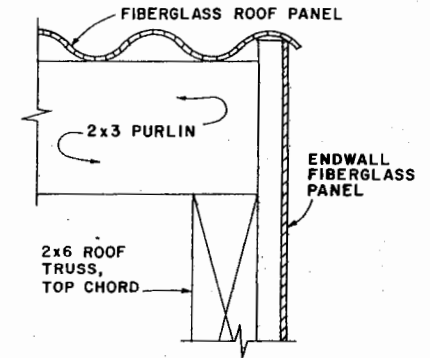
USE 1500+ GRADE DOUGLAS FIR, WESTERN HEMLOCK, SOUTHERN YELLOW PINE OR EQUIVALENT.

WOOD TRUSS LAYOUT

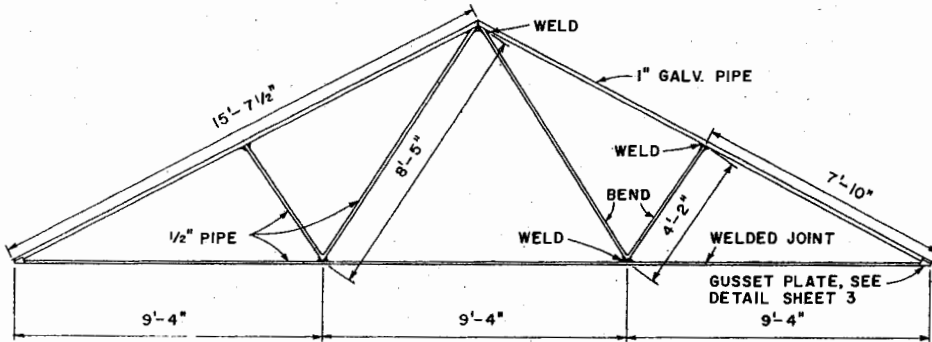
SCALE: 3/8"=1'-0"



CORNER DETAIL
WOOD CONSTRUCTION



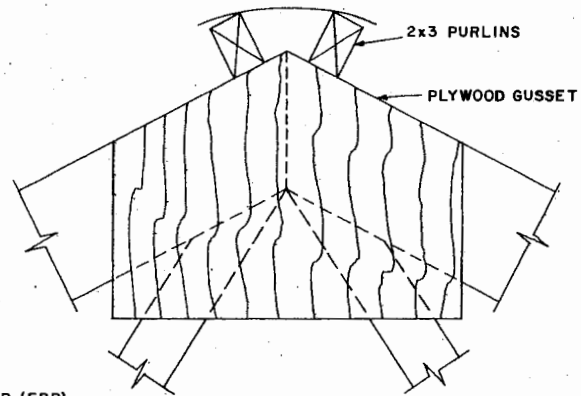
SECTION "A-A"
WOOD CONSTRUCTION



PIPE TRUSS LAYOUT

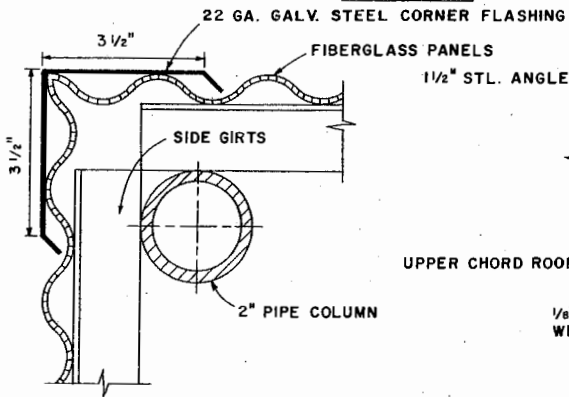
WELDED CONSTRUCTION

SCALE: 3/8"=1'-0"

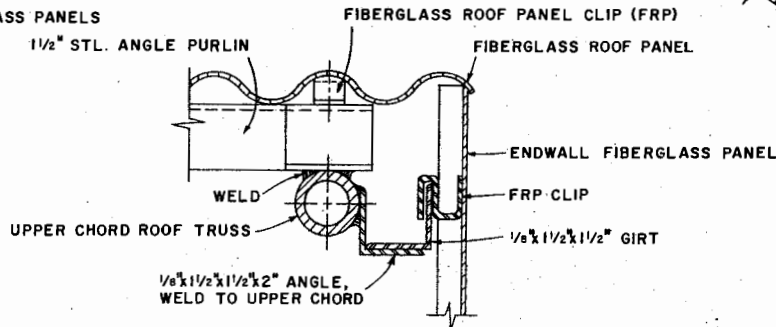


RIDGE DETAIL
WOOD CONSTRUCTION

SCALE: 3"=1'-0"

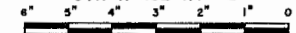


CORNER DETAIL
STEEL CONSTRUCTION



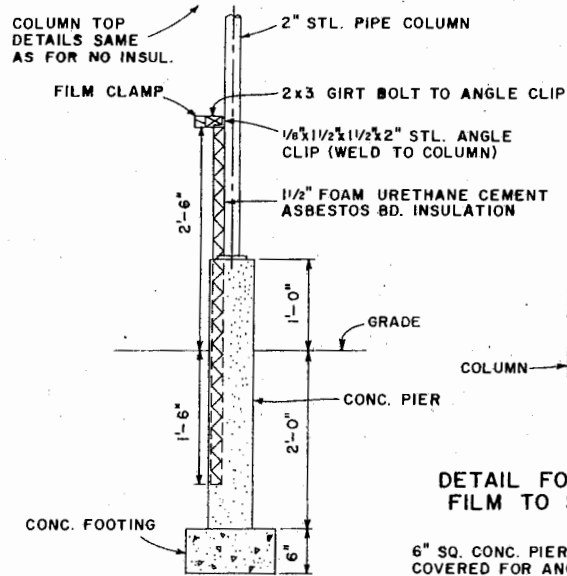
SECTION "A-A"
STEEL CONSTRUCTION

SCALE: 6"=1'-0" UNLESS OTHERWISE NOTED



28' GREENHOUSE

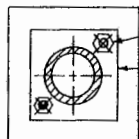
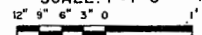
PA. '74 **6185** SHEET 2 OF 3



COLUMN DETAIL

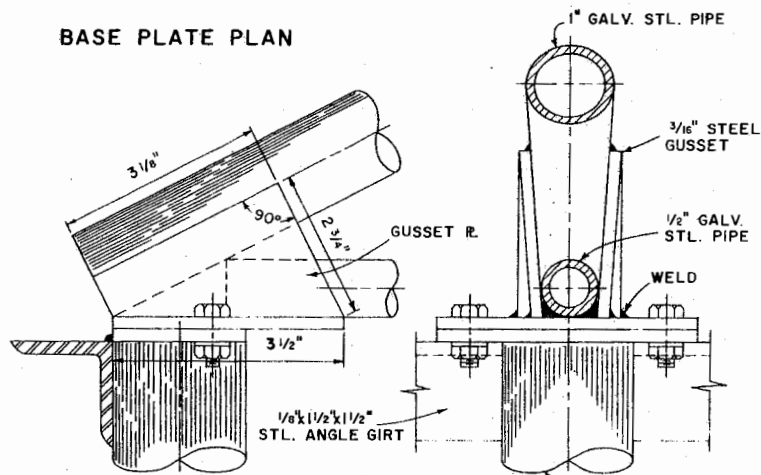
STEEL CONSTRUCTION WITH INSULATION

SCALE: 1"=1'-0"



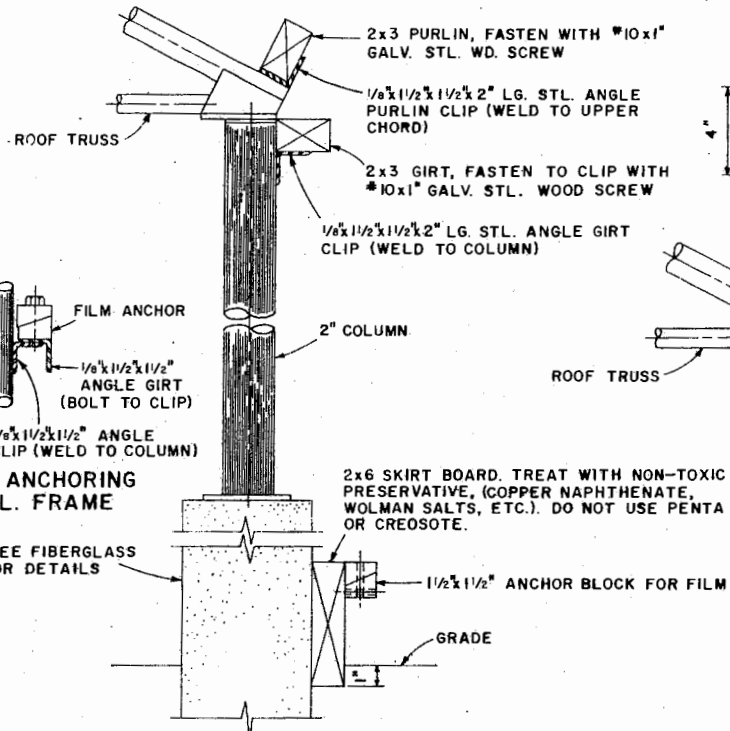
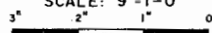
BASE PLATE PLAN

3/8x4 inch J-BOLTS
3/16x4 inch SQ. STL. R. (WELD TO BOTTOM OF 2" PIPE COLUMN)



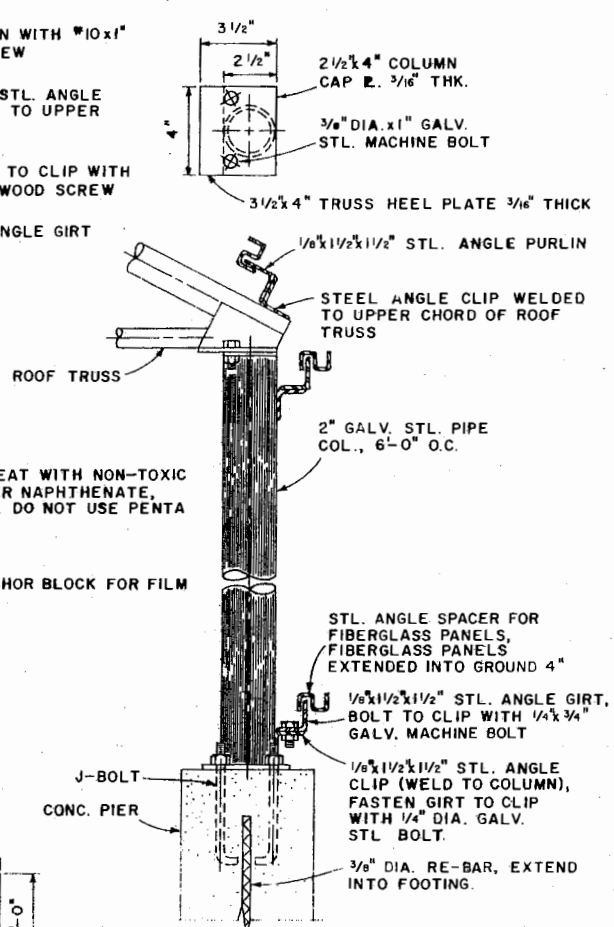
GUSSET DETAILS

SCALE: 9"=1'-0"



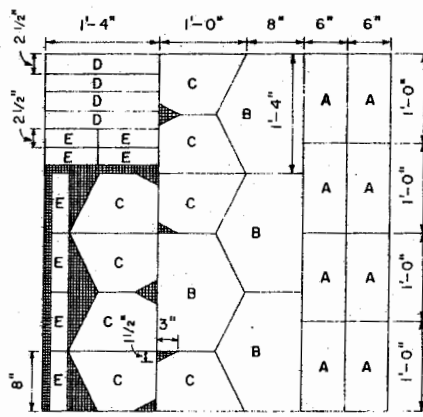
COLUMN DETAIL

STL. FRAME-FILM COVER, NO INSUL.



COLUMN DETAIL

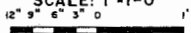
STEEL FRAME, FIBERGLASS COVER, NO INSUL.



GUSSET CUTTING LAYOUT

*ONE-HALF SHEET B-B EXT. 3/8" PLYWOOD

SCALE: 1"=1'-0"



*NOTE:
HALF SHEET IF CUT AS SHOWN WILL
SUPPLY GUSSETS FOR TWO TRUSSES

SCALE: 3"=1'-0" UNLESS OTHERWISE NOTED
6" 5" 4" 3" 2" 1" 0"



28' GREENHOUSE

PA. '74 **6185** SHEET 3 OF 3

Disclaimer

This site makes available conceptual plans that can be helpful in developing building layouts and selecting equipment for various agricultural applications. These plans do not necessarily represent the most current technology or construction codes. They are not construction plans and do not replace the need for competent design assistance in developing safe, legal and well-functioning agricultural building system. The LSU Agriculture Center, the Mid-West Plan Service, the United States Department of Agriculture and none of the cooperating land-grant universities warranty these plans.