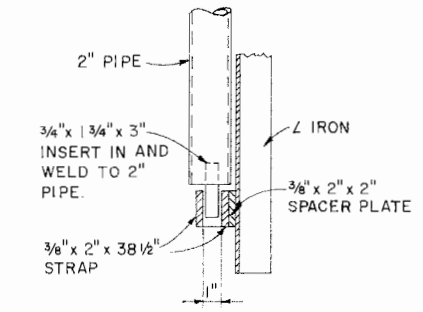
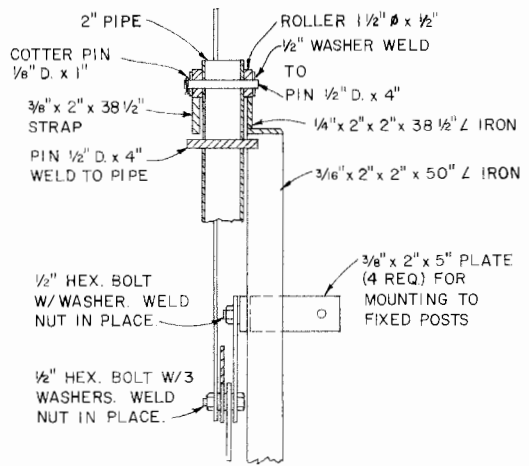


- NOTES:
- ALL SCISSOR ACTION JOINTS TO BE ASSEMBLED AS SHOWN IN SECTION C-C.
 - 17/32" DRILL-ALL HOLES UNLESS OTHERWISE NOTED.
 - FASTEN MOVABLE PARTS WITH 1/2" D. PINS OR 1/2" BOLTS AND NUTS WHERE INDICATED. FIX FASTENERS IN PLACE BY WELDING.
 - ATTACH HEADGATE AT 4 PLACES TO FIXED POSTS. MOUNTING PLATES ON HEADGATE ARE SPACED 35 1/16" C. TO C.



0 1" 2" 3" 4" 5" 6" 7"
 SCALE: 3/16" = 1" UNLESS OTHERWISE NOTED

MOVABLE HEADGATE		
W. VA. '77	6272	SHEET 1 OF 1

Disclaimer

This site makes available conceptual plans that can be helpful in developing building layouts and selecting equipment for various agricultural applications. These plans do not necessarily represent the most current technology or construction codes. They are not construction plans and do not replace the need for competent design assistance in developing safe, legal and well-functioning agricultural building system. The LSU Agriculture Center, the Mid-West Plan Service, the United States Department of Agriculture and none of the cooperating land-grant universities warranty these plans.