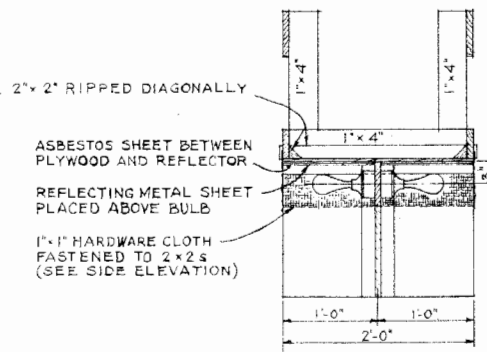
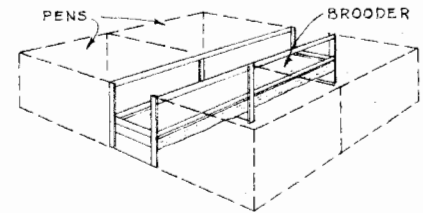


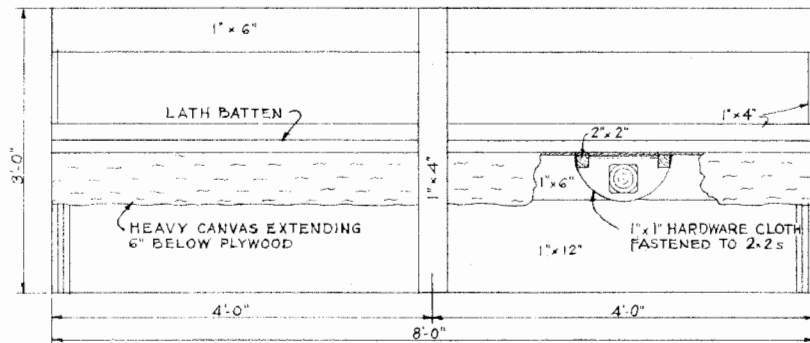
PLAN



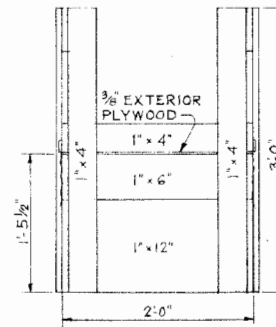
SECTION A-A



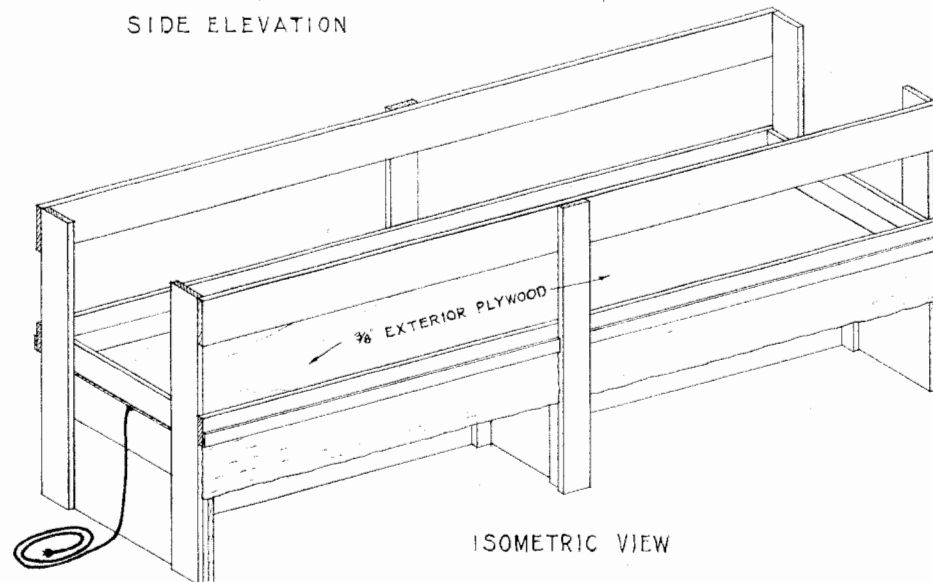
DIAGRAMMATIC LAYOUT OF BROODER AND PENS



SIDE ELEVATION



END ELEVATION



ISOMETRIC VIEW

BILL OF MATERIALS

LUMBER:	
1' x 2' x 12'-0"	1 PC.
1' x 4' x 10'-0"	4 PCS.
1' x 6' x 10'-0"	3 PCS.
1' x 12' x 14'-0"	1 PC.
2' x 2' x 8'-0"	1 PC.
2' x 2' x 10'-0"	1 PC.
MISCELLANEOUS:	
2'-0" x 8'-0" x 3/8"	1 PC. EXTERIOR PLYWOOD
1'-0" x 6'-0"	1 PC. 1' x 1" HARDWARE CLOTH
1'-0" x 4'-0"	1 PC. REFLECTING METAL
2'-8" x 4'-0"	1 PC. HEAVY CANVAS
	NAILS AS REQUIRED
ELECTRICAL:	
	NON-METALLIC JUNCTION BOXES 4 EA.
	PORCELAIN LIGHT RECEPTACLE 4 EA.
	(PULL CHAIN OPTIONAL)
	LIGHT BULBS (SIZE VARIES) 4 EA.
	WITH HEATING REQUIREMENTS)
	NON-METALLIC SHEATHED CABLE NO. 14-2 10 FT.
	RUBBER COATED EXTENSION CORD NO. 14-2 10 FT.
	MALE PLUG 1 EA.

NOTE:
 ATTACH FOUR 4' x 4" LAMBING PENS TO EACH OF THESE UNITS.
 WHEN THE UNITS ARE PLACED END TO END, EACH BROODER MUST BE PLUGGED IN SEPARATELY TO AN ELECTRICAL SERVICE OUTLET WHICH IS PROPERLY WIRED TO CARRY THE LOAD.

SCALE: 1"=1'-0" UNLESS OTHERWISE NOTED.

LSU
Ag Center
Research & Extension

COMBINATION
LAMB BROODER AND EWE FEEDER

ORE. '58 | EX. 5863 | SHEET 1 OF 1

Disclaimer

This site makes available conceptual plans that can be helpful in developing building layouts and selecting equipment for various agricultural applications. These plans do not necessarily represent the most current technology or construction codes. They are not construction plans and do not replace the need for competent design assistance in developing safe, legal and well-functioning agricultural building system. The LSU Agriculture Center, the Mid-West Plan Service, the United States Department of Agriculture and none of the cooperating land-grant universities warranty these plans.