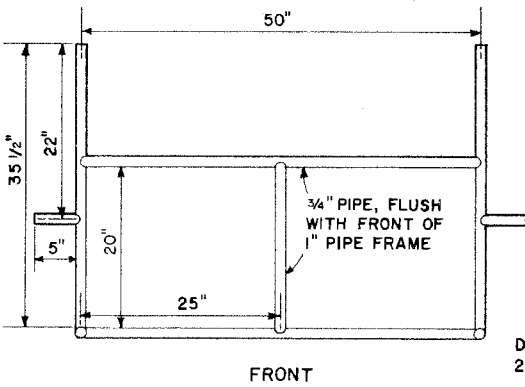
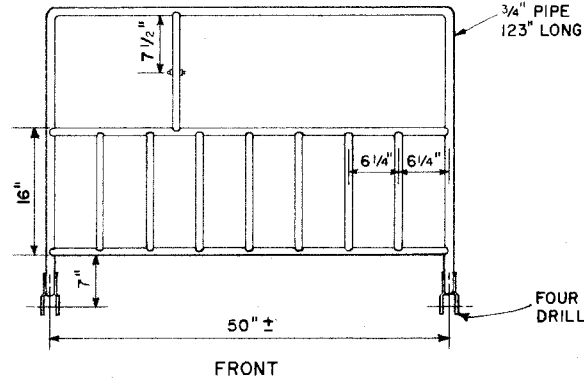
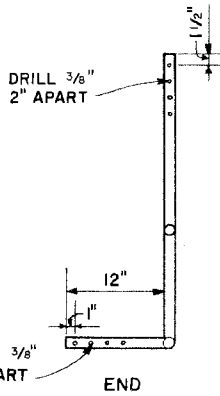


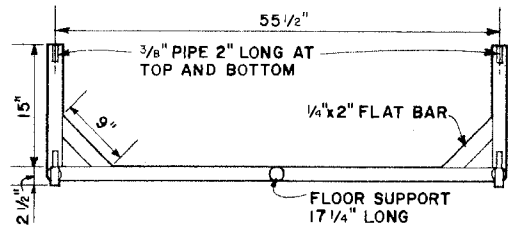
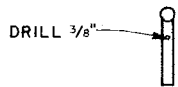
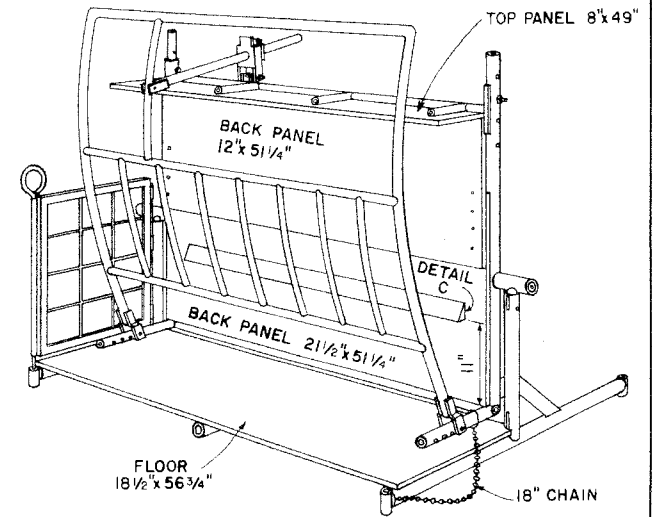
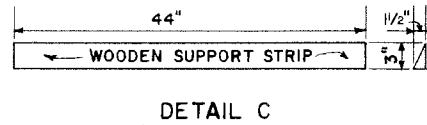
TOP PANEL FRAME
ALL 3/4" PIPE EXCEPT AS NOTED



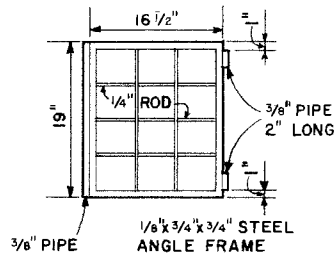
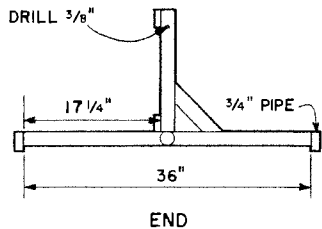
BACK PANEL FRAME
ALL 1" PIPE EXCEPT AS NOTED



SQUEEZE PANEL
ALL 1/2" PIPE EXCEPT AS NOTED



BASE FRAME
ALL 1/4" PIPE EXCEPT AS NOTED



NOTE: ALL PIPES ARE STANDARD SIZE
ALL JOINTS ARE WELDED

PANELS AND FLOOR ARE 1/2" EXTERIOR PLYWOOD,
FASTENED WITH 1/4" CARRIAGE BOLTS
USE 5/16" MACHINE BOLTS IN 3/8" HOLES

REVISED APRIL '70

LSU
AgCenter
Research & Extension

TILTING SQUEEZE FOR SHEEP

ORE. '67 EX. 6006 SHEET 1 OF 1

Disclaimer

This site makes available conceptual plans that can be helpful in developing building layouts and selecting equipment for various agricultural applications. These plans do not necessarily represent the most current technology or construction codes. They are not construction plans and do not replace the need for competent design assistance in developing safe, legal and well-functioning agricultural building system. The LSU Agriculture Center, the Mid-West Plan Service, the United States Department of Agriculture and none of the cooperating land-grant universities warranty these plans.