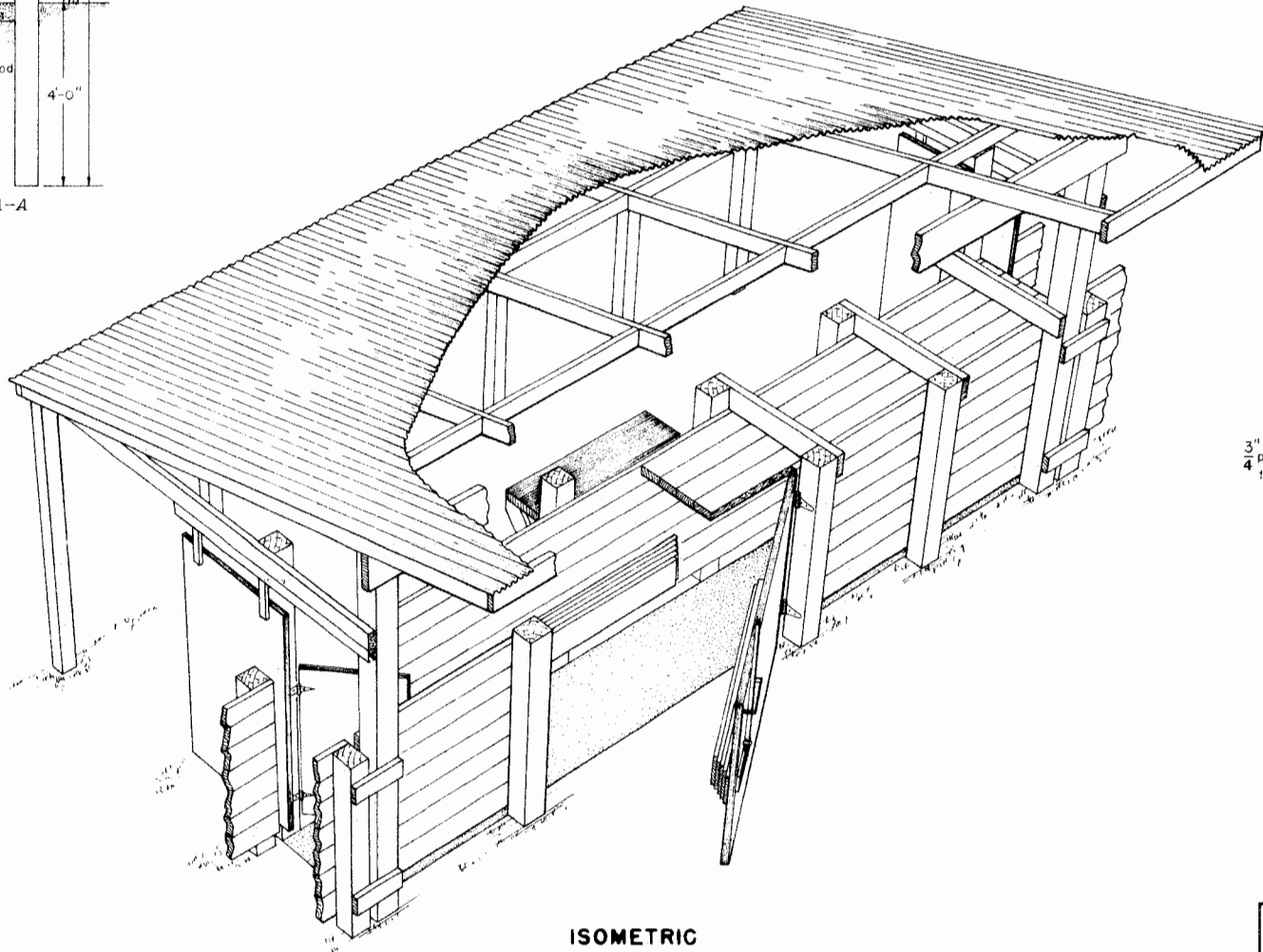
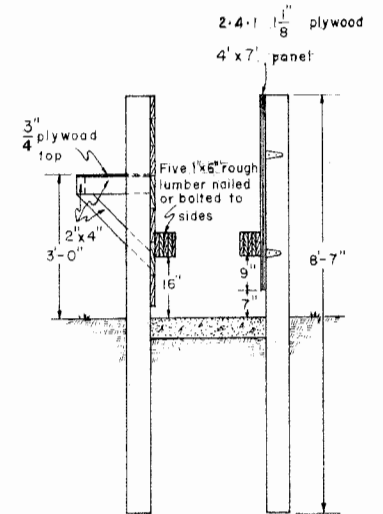


SECTION A-A



ISOMETRIC



SECTION B-B

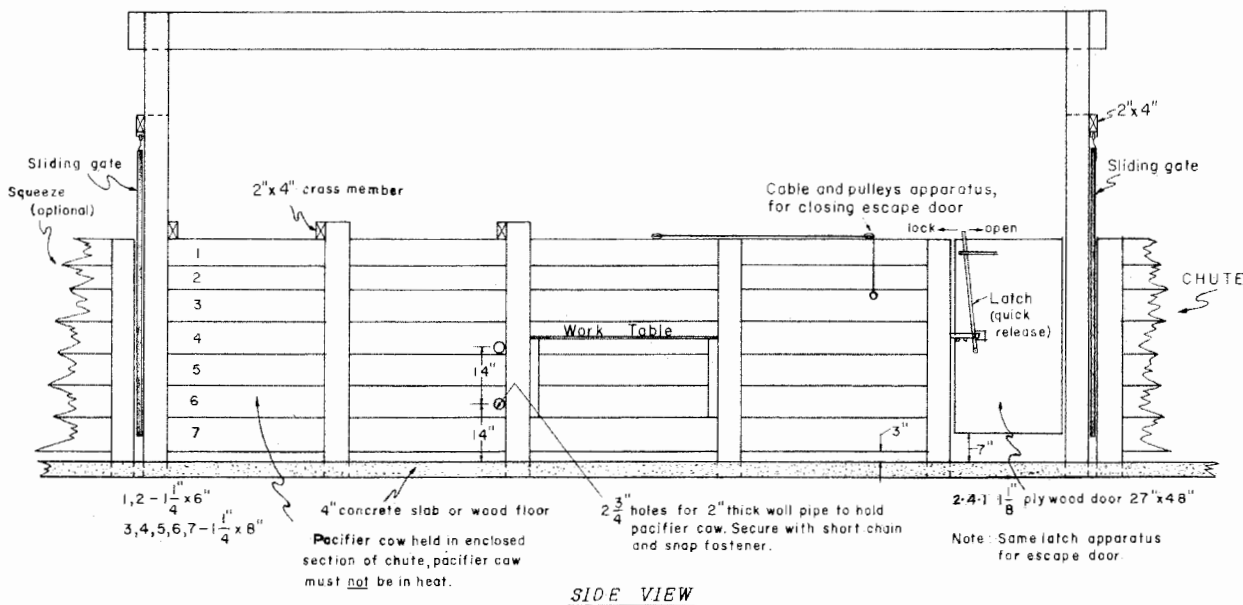
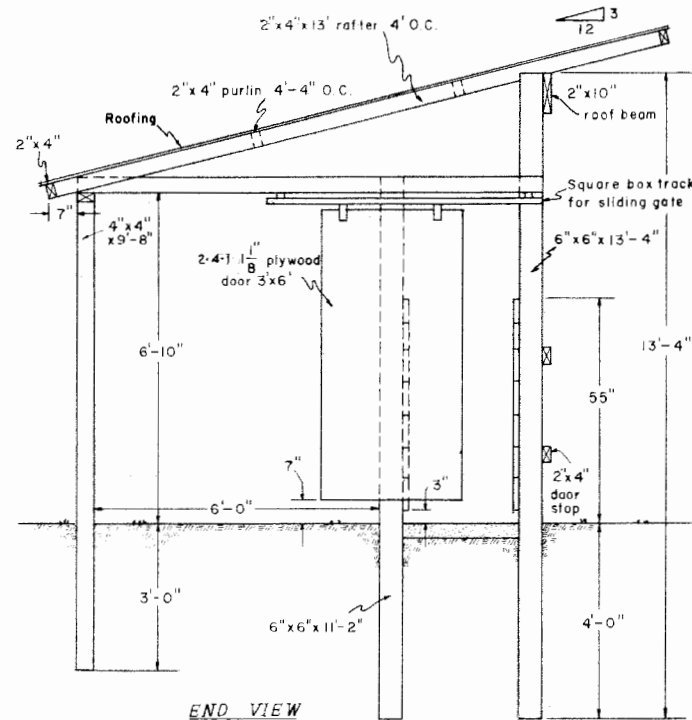
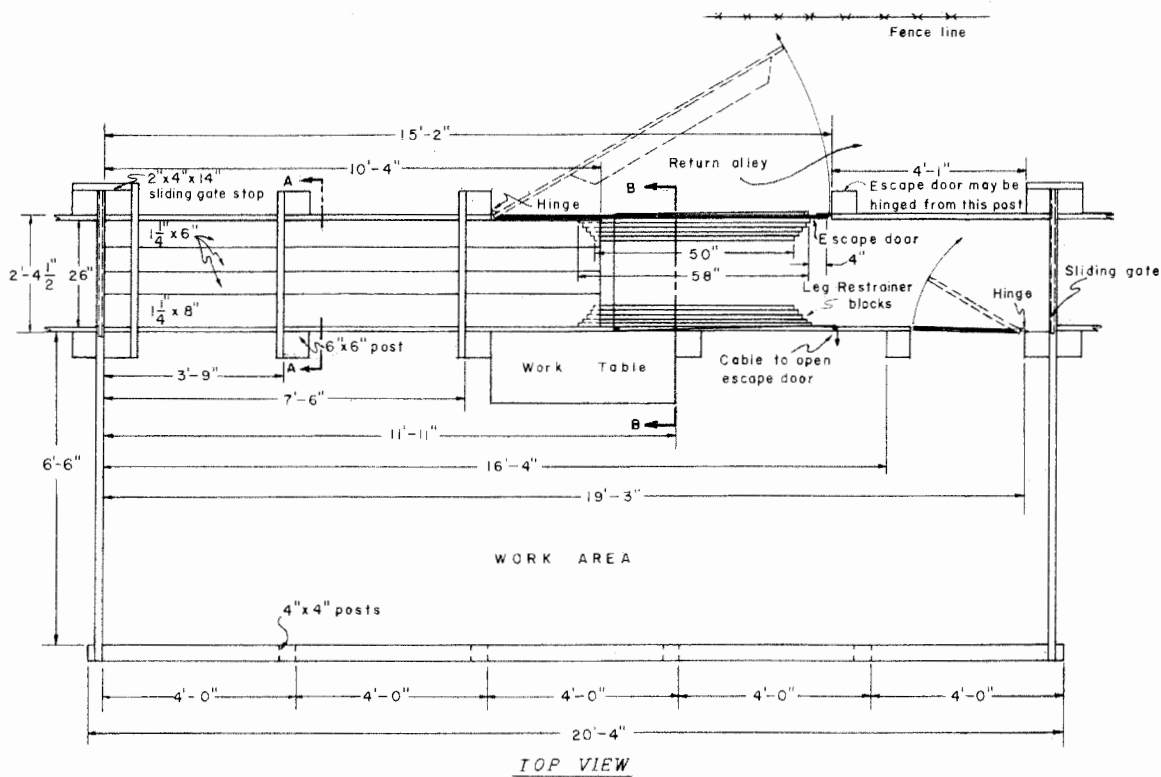
SCALE: 1/2" = 1' - 0" EXCEPT AS NOTED



BREEDING CHUTE  
FOR BEEF CATTLE

CALIF. '70 6103 SHEET 1 OF 2

Designed by: Gene Rambo  
University of Calif. Plan C  
Davis, Calif.



SCALE: 1/2" = 1'-0" EXCEPT AS NOTED



**BREEDING CHUTE  
FOR BEEF CATTLE**

CALIF. '70 **6103** SHEET 2 OF 2

**Note:**  
Corrugated translucent plastic panel roofing installed in accordance with manufacturer's directions.  
All poles and wood in contact with the ground to be pressure treated with a preservative.

## Disclaimer

This site makes available conceptual plans that can be helpful in developing building layouts and selecting equipment for various agricultural applications. These plans do not necessarily represent the most current technology or construction codes. They are not construction plans and do not replace the need for competent design assistance in developing safe, legal and well-functioning agricultural building system. The LSU Agriculture Center, the Mid-West Plan Service, the United States Department of Agriculture and none of the cooperating land-grant universities warranty these plans.