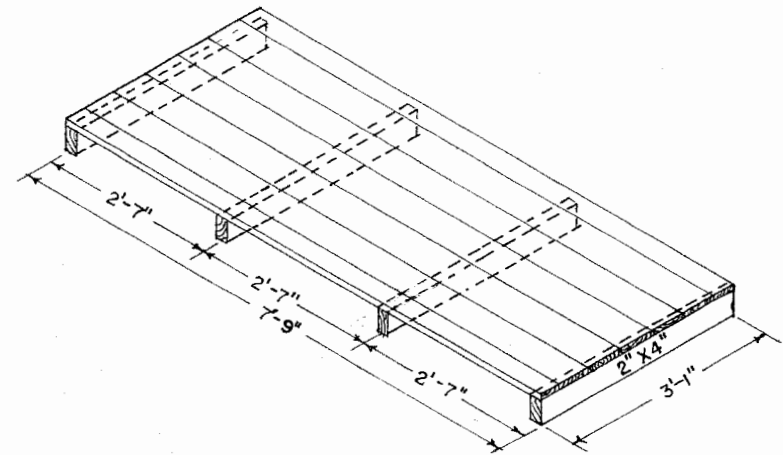
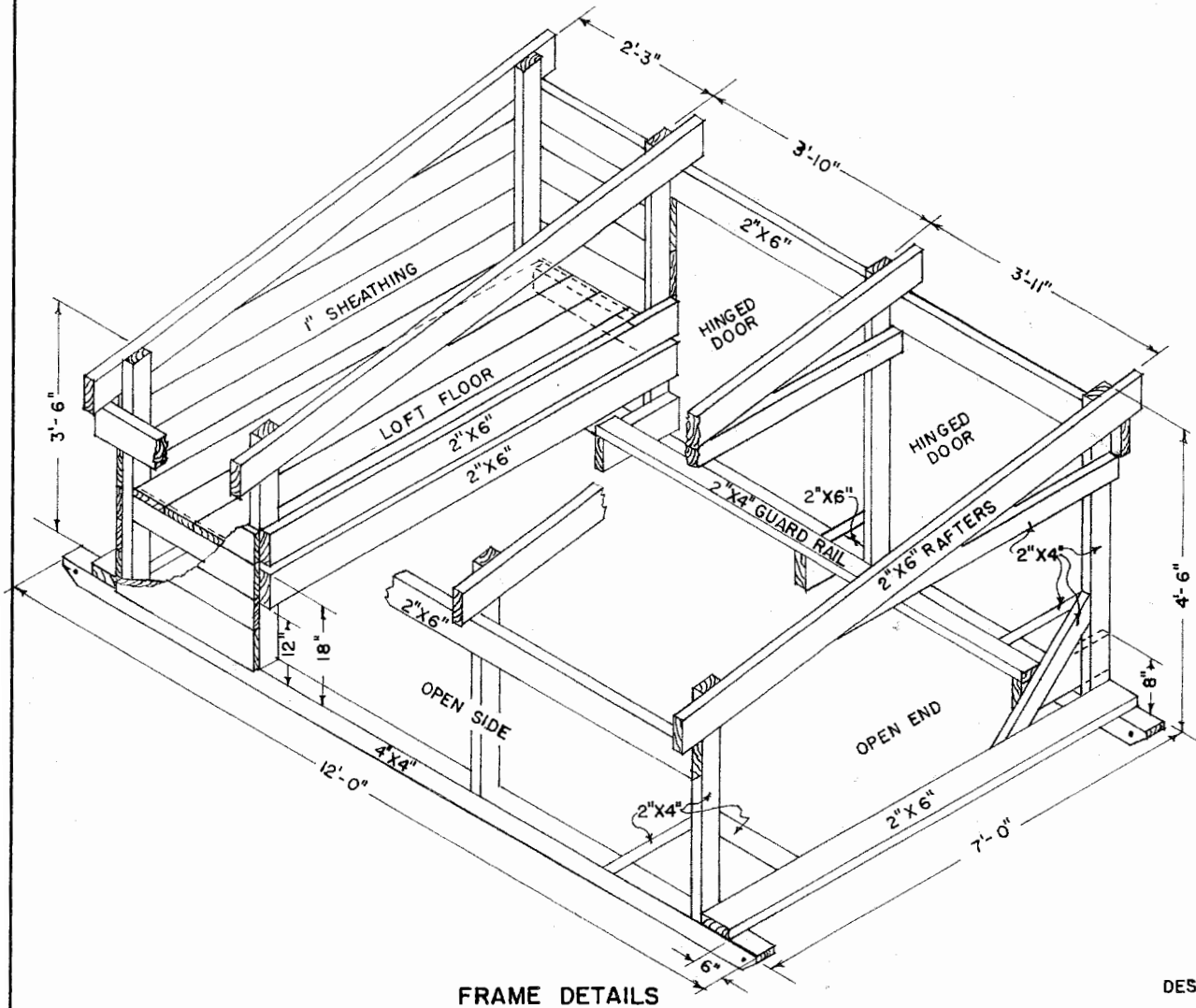


FRONT ELEVATION



ONE HALF FLOOR SECTION



FRAME DETAILS

BILL OF MATERIALS

- 2 - 4" X 4" X 12'
- 2 - 2" X 6" X 10'
- 1 - 2" X 4" X 14'
- 2 - 2" X 4" X 10'
- 4 - 2" X 6" X 12'
- 4 - 2" X 6" X 8'
- 1 - 2" X 4" X 12'
- 1 - 2" X 4" X 8'

210 SQ FT 1" SHEATHING

117 SQ FT. ROOFING MATERIAL

NOTE ROOF DOES HAVE TO BE SOLID SHEATHED IF METAL ROOFING IS USED.

FLOOR SECTION -- 4-2" X 4" X 8'
60 SQ. FT. 1" MATERIAL



MOVABLE SOW & PIG SHELTER

ENGINEER	SCALE 3/4" = 1'-0"
DRAWN BY CKH	SHEET 1 OF 1
TRACED BY JNC	DATE 6-17-68 NO. 54-2

DESIGNED BY: DR. BRAY

Disclaimer

This site makes available conceptual plans that can be helpful in developing building layouts and selecting equipment for various agricultural applications. These plans do not necessarily represent the most current technology or construction codes. They are not construction plans and do not replace the need for competent design assistance in developing safe, legal and well-functioning agricultural building system. The LSU Agriculture Center, the Mid-West Plan Service, the United States Department of Agriculture and none of the cooperating land-grant universities warranty these plans.