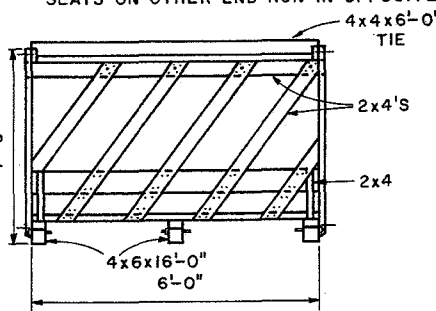
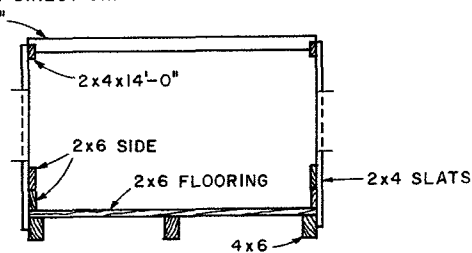


SIDE ELEVATION

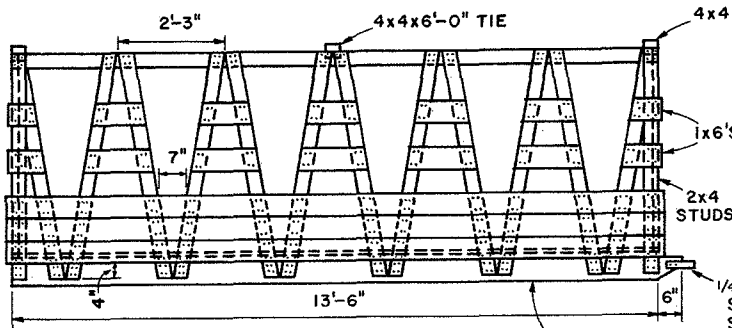
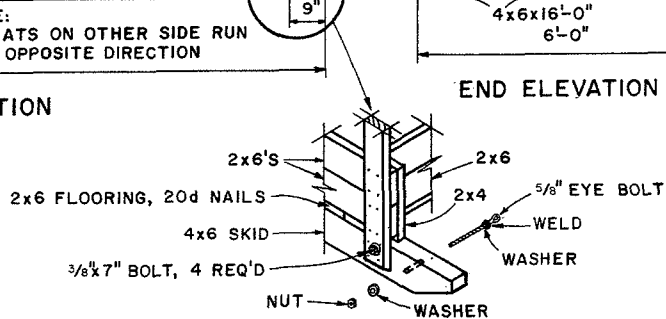
NOTE: SLATS ON OTHER END RUN IN OPPOSITE DIRECTION.



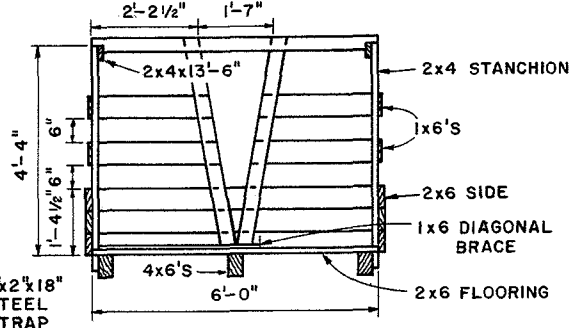
END ELEVATION



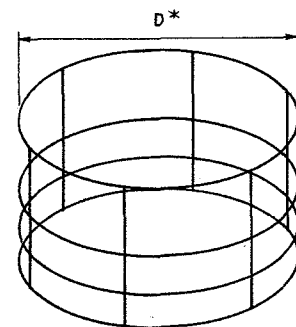
SECTION



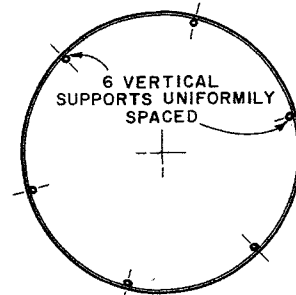
SIDE ELEVATION



SECTION

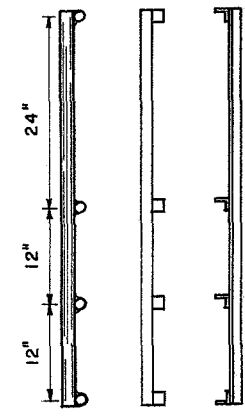


PERSPECTIVE



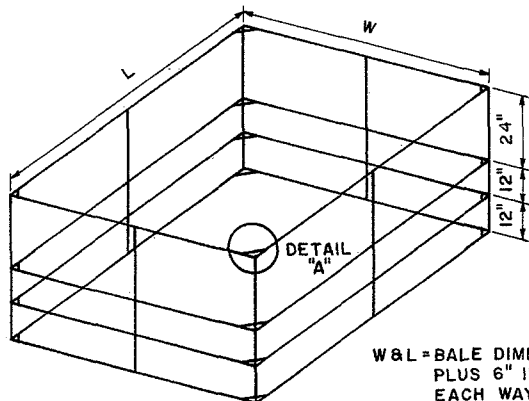
PLAN
NO SCALE

D* = HOOP DIAMETER
BALE DIAGONAL + 6"



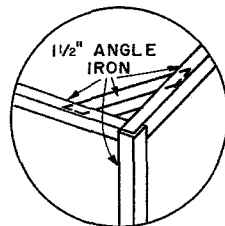
PIPE SQUARE TUBING ANGLE IRON
VERTICAL SUPPORTS

SCALE: 1" = 1'-0"
12" 9" 6" 3" 0"

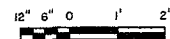


ISOMETRIC
PIPE TUBING OR ANGLE

W&L = BALE DIMENSIONS
PLUS 6" INCHES
EACH WAY.



DETAIL "A"
NO SCALE



SCALE: 1/2" = 1'-0" UNLESS
OTHERWISE NOTED



HAY FEEDERS
FOR ROUND BALES

ALA. '75 6214 SHEET 1 OF 1

BASED ON: AUBURN UNIV. PLAN NO. G-314
TEXAS A&M UNIV. PLAN NO. 578

Disclaimer

This site makes available conceptual plans that can be helpful in developing building layouts and selecting equipment for various agricultural applications. These plans do not necessarily represent the most current technology or construction codes. They are not construction plans and do not replace the need for competent design assistance in developing safe, legal and well-functioning agricultural building system. The LSU Agriculture Center, the Mid-West Plan Service, the United States Department of Agriculture and none of the cooperating land-grant universities warranty these plans.