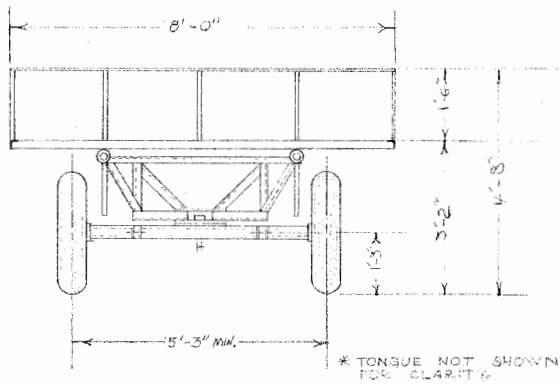


- NOTES:**
- ① USE TRUCK TIRES, WHEELS, AXLES, & BEARINGS. EACH BEARING SHOULD HAVE MIN. CAPACITY OF 3500 lbs.
  - ② TOTAL CAPACITY OF TRAILER IS 12,000 lbs.
  - ③ ALL JOINTS SHOULD BE SHOP WELDED WITH HIGH CARBON RODS OR ELECTRODES.
  - ④ ALL JOINTS SHOULD BE WELDED COMPLETELY AROUND.
  - ⑤ DO NOT SCALE FROM DRAWINGS.
  - ⑥ BED LENGTH MAY BE REDUCED TO 15'-0" TO HANDLE ONLY SIX (6) LARGE BALES.

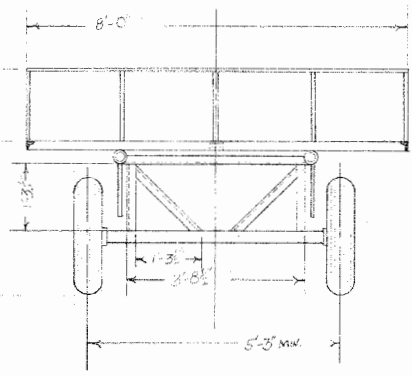
**LSU**  
AgCenter  
Research & Extension

**PERKIN FEED TRAILER  
FOR LARGE ROLL BALES**

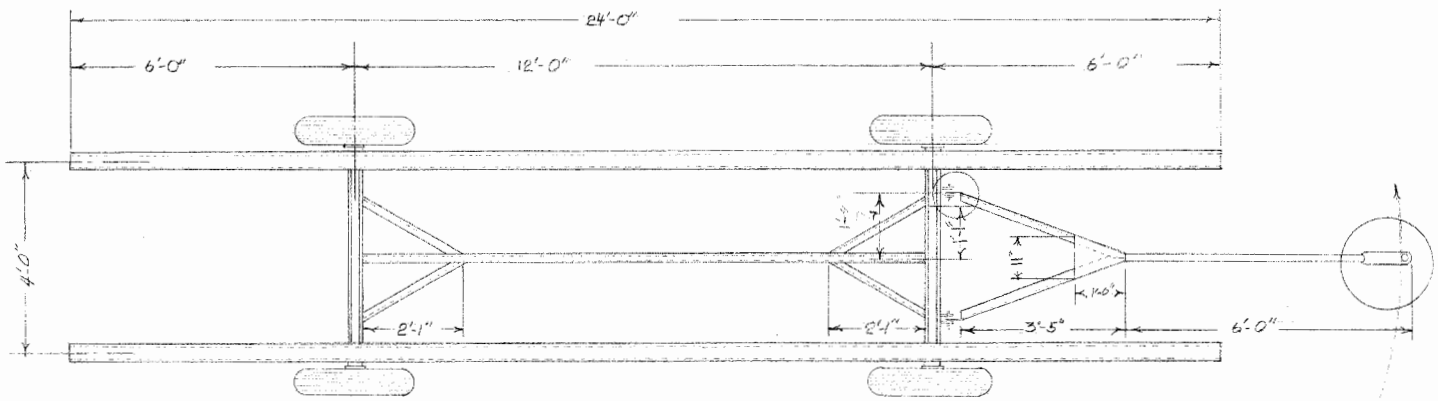
ENGINEER: DR. DOUG DEARON	SCALE: AS SHOWN
DRAWN BY: RONALD W. DUNCAN	SHEET 1 OF 3
TRACED BY: rVc	DATE: APR 74 NO. 38-21



FRAME DIMENSIONS FRONT VIEW  
SCALE: 1/2" = 1'



REAR VIEW



FRAME DIMENSIONS TOP VIEW  
SCALE: 1/2" = 1'

<b>LSU</b> AgCenter <small>Research &amp; Extension</small>	
PERKIN FEED TRAILER FOR LARGE ROLL BALES	
ENGINEER DR. BOUS DEBON	SCALE AS SHOWN
DRAWN BY RONALD W. DUNN	SHEET 2 OF 3
TRACED BY RVO	DATE AUG 74 NO. 38-21



## Disclaimer

This site makes available conceptual plans that can be helpful in developing building layouts and selecting equipment for various agricultural applications. These plans do not necessarily represent the most current technology or construction codes. They are not construction plans and do not replace the need for competent design assistance in developing safe, legal and well-functioning agricultural building system. The LSU Agriculture Center, the Mid-West Plan Service, the United States Department of Agriculture and none of the cooperating land-grant universities warranty these plans.