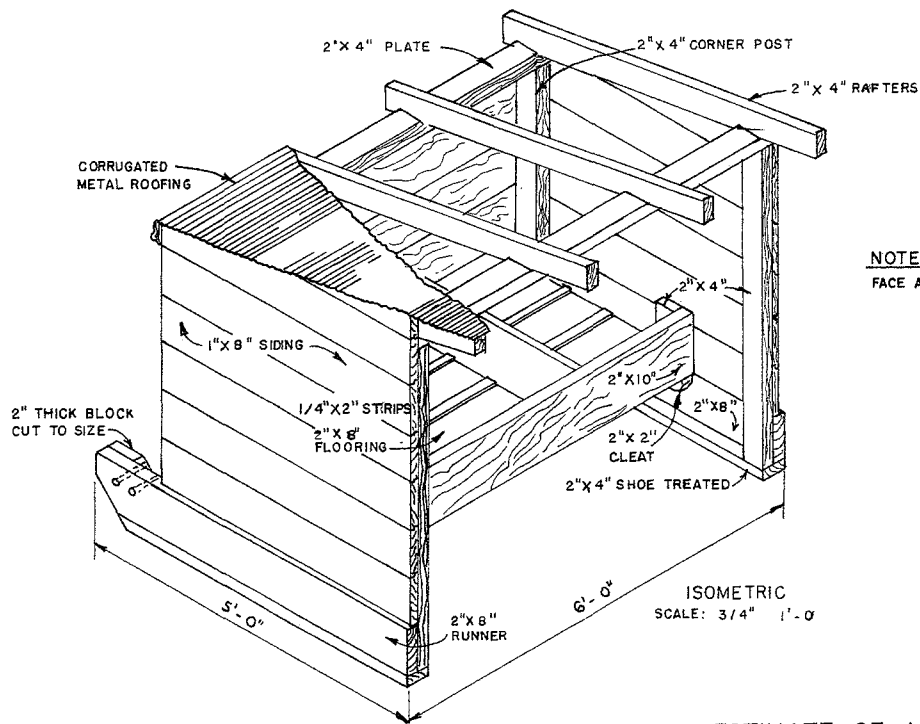
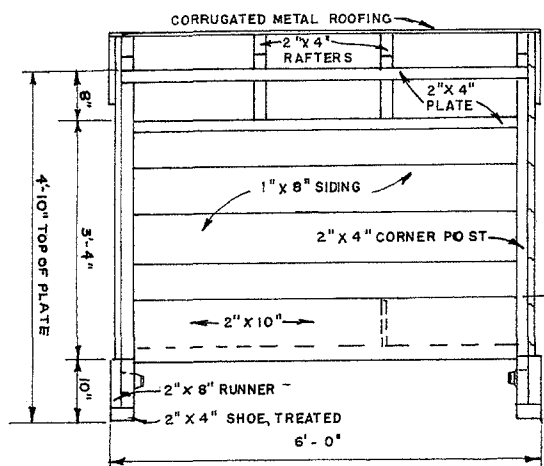


PLAN  
SCALE: 3/4" = 1'-0"

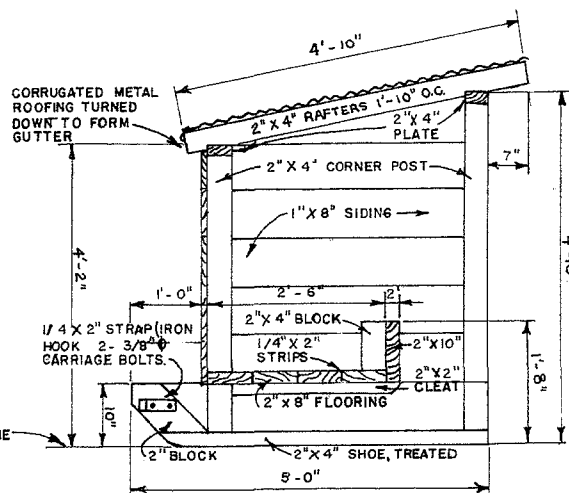


ISOMETRIC  
SCALE: 3/4" = 1'-0"

NOTE  
FACE AWAY FROM PREVAILING WINDS



FRONT ELEVATION  
SCALE: 3/4" = 1'-0"



SECTION A-A  
SCALE: 3/4" = 1'-0"

### ESTIMATE OF MATERIALS

#### LUMBER

SHOES	2" x 4" x 10'-0"	1	PCS
RUNNERS	2" x 8" x 10'-0"	1	"
CORNER POSTS	2" x 4" x 10'-0"	2	"
(USE SURPLUS AS NAILING BLOCKS FOR BOX)			
FLOORING	2" x 8" x 12'-0"	2	"
SIDING SIDES	1" x 8" x 8'-0"	7	"
SIDING BACK	1" x 8" x 12'-0"	3	"
PARTITION	1" x 8" FROM SIDING	1	"
PLATES	2" x 4" x 12'-0"	2	"
RAFTERS	2" x 4" x 10'-0"	2	"
STRIPS	1/4" x 2" x 8'-0"	3	"
BOX	2" x 10" x 10'-0"	1	"
(USE SURPLUS FOR RUNNER BLOCKS)			
CLEATS	2" x 2" x 8'-0"	1	"

#### MISCELLANEOUS

GALV METAL ROOF	2'-0" x 6'-0"	3	SHEETS
STRAP IRON	1/4" x 2" x 10"	2	PCS
GARRIAGE BOLTS	3/8" 0-5" LONG	4	"
NAILS-COMMON	6d	1	LB
NAILS ROOF (GALV.)	16d	1	1/2 LB
			1/4 LB



### SALT & MINERAL BOX FOR CATTLE

ENGINEER	SCALE
DRAWN BY	SHEET 1 OF 1
TRACED BY JNC	DATE 30/9/66 NO. 5759

## Disclaimer

This site makes available conceptual plans that can be helpful in developing building layouts and selecting equipment for various agricultural applications. These plans do not necessarily represent the most current technology or construction codes. They are not construction plans and do not replace the need for competent design assistance in developing safe, legal and well-functioning agricultural building system. The LSU Agriculture Center, the Mid-West Plan Service, the United States Department of Agriculture and none of the cooperating land-grant universities warranty these plans.